

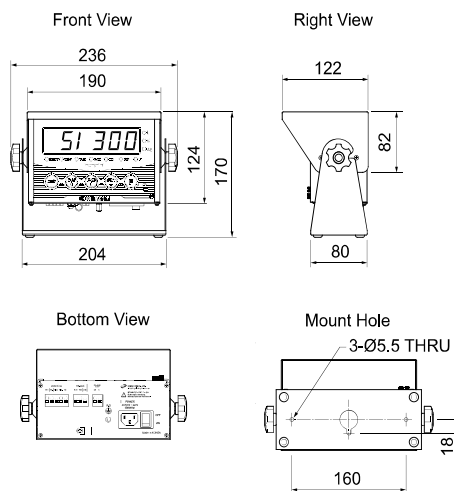
SI 300A

Feature

- Wall Mounting Type
- Hold Function : Sample, Average, Peak

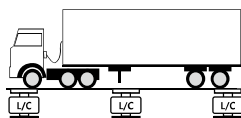


Physical Dimension [Unit:mm]

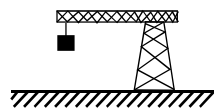


INDICATOR

		SI 300A
ANALOG PART	Input Sensitivity	Min. 0.1 μV / Digit
	Load Cell Excitation	DC 5V
	Non-Linearity	0.001% of Full Scale
	Input Signal	Max 3.0 mV/V
	A/D Method & Sampling	Max120time/sec, Sigma-Delta
DISPLAY PART	Resolution	Internal: 1/2,000,000 ($\pm 1,000,000$) Display: 1/20,000
	Main Display	7 Segment, 6 Digit, H= 25.4 mm, RED Color FND
	Under Zero	Minus (→) Display
	"■" Status Lamp	STEADY, ZERO, TARE, HOLD, TxD, RxD, PRT, BAT Green Color
	"▼" Status Lamp	8 pcs, Green Color
GENERAL PART	"◀" Status Lamp	4 pcs, Green Color
	FONT Red LED Status Lamp	g, kg, t, pcs, oz, lb
	Power Supply	Free Voltage(AC 100V~240V, 50/60Hz)
	Operating Condition	Temperature: -10°C ~ +40°C, Humidity: Under 85% RH
	Size / Weight	(W)190 x (H)124 x (D)122 mm / Weight: 2kg
Interface		RS232C & Current Loop



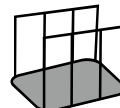
Truck Scale



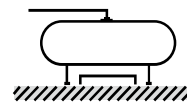
Crane Scale



Tester



Animal Scale



Tank Scale