



SEWHA CNM

PRODUCTS CATALOG 2017



Company Introduction

Since established in 2000, SEWHA CNM is the foregoing leader in weighing and automatic control system business in the Weighing Industry. With decades of experienced staffs, outstanding technology and services, we provide the best solution to users.

SEWHA CNM's Controller is applicable to various customers' factory condition, such as Hopper, Packer, Filler, Flecon bag, Conveyor and Auto Checker Scale with optimum performance, and three functions of controller, Operator and Displayer are integrated to maximize the user's convenience.

SEWHA CNM has been focusing all R&D powers on developing Hi-Technology balanced between hardware and software. Namely, hardware, high qualified digital weighing indicator featured with various external interfaces and software, easily usable to operators.

SEWHA CNM
WEIGHING SOLUTION

History

2016

- Developed new generation indicator SI500 Series (SI510, SI520, SI530, SI540, SI550)
- Acquired OIML Certification of Truck and Tank scale Load cell SBW
- Acquired CE Certification of Indicator SI400, SI410

2015

- Developed new generation indicator SI500 Series (SI510, SI520, SI530, SI540, SI550)
- Developed new Automatic truck Scale controller for LPR (License Plate Recognition)
- Acquired CE Certification of Indicator SI400, SI410

2014

- Developed new generation indicator SI400, SI410

2013

- Developed indicator SI460A, SI460C
- Acquired "CE" certification of indicator SI460C
- Designated as a Promising Export Firm

2012

- Acquired OIML certification of Shear beam Load cell SB210, Tension Load cell SS300

2011

- Developed Load Cell Transmitter wall mount type
- Acquired CE certification of Desk Mounting Type Weighing Indicator SI300

2010

- Developed Tiny wall mount size weighing digital indicator SI200

2009

- DIN size "CE" certification
- Appointed to export business partner (Korea Export Support Association)

2008

- Developed Double packer touch screen controller
- Acquired INNO-BIZ business certification

2007

- Acquired "CE" certification of SI4000 series
- Developed Hopper scale touch screen controller in R.P.C

2006

- Acquired component and material reliability certification
- Acquired patent of Complex weighing management controller system

2005

- Developed automatic truck weighing system controller

2004

- Technology innovation development business prize
- Acquired Patent of Auto screening system with angle meter by load cell

2003

- Acquired CLEAN BUSINESS PRIZE certification
- Developed external display

2002

- Acquired ISO9001 / KS A 9001:2001 certification

2001

- Developed weighing sensor (Load cell), Automatic truck scale system

2000~

- Establish SEWHA CNM corporation
- Developed relay type indicator





Global Network

As the world of business is being globalized, SEWHA CNM also extends its business field to the world.

From South-East Asia to Middle-East, Africa, Americas and Europe, SEWHA CNM has appointing potential partners to provide more convenience for local customers.

SEWHA CNM's technology is acknowledged internationally. SEWHA CNM will meet the world customers' demands through the continuing research and development.



Contents

INDICATOR

Indicator Selection Guide	6
Simple Weighing Indicator : SI400, SI400S	7
Simple Weighing Indicator : SI460	8
Simple Weighing Indicator : SI200, SI480E	9
Simple Weighing Indicator : SI300A	10
Simple Control Indicator : SI4630E	11
Simple Control Indicator : SI410	13
Simple Control Indicator : SI460C	14
Simple Weighing Indicator : SI560C	15
Simple Control Indicator : SI580E, SI4630EF	16
Common Specification of Precision Control Indicator	17
Precision Control Indicator : SI510, SI520, SI530	18
Precision Control Indicator : SI540, SI550	19
Option Card	22

External Display

SE6125A / SE6135A / SE6145A / 6165A	23
---	----

Professional Controller

Digital Load Limiter : SOC200	25
Automatic Truck Scale Controller : SA600FM	26
Auto Packer Controller : SA320DS, SA4120	28
Checkweigher Controller : SC400A & SC400F	29

LOAD CELL

Load cell Selection Guide	30
AB120C / 120 / 130 / 140	31
SB210	32
SB210 TW Accessory	33
LBB200	34
SS300	35
SL410	36
CLS / SLS (Explosion Proof : Ex d IIB T6)	37
SL410 Compression Accessory	38
SC520	39
SC520 Compression / Tension Accessory	40
SC530	41
SWL100	42
SM600E	43
SM601E	44
SM603E	45
ST800E	46
SB900	47
SB920	48
SBW	49
Load Cell Transmitter ST Series	50
Load Cell Summing Box & Accessories	51
Load Cell Type	52
Load Cell Installation Guide	53

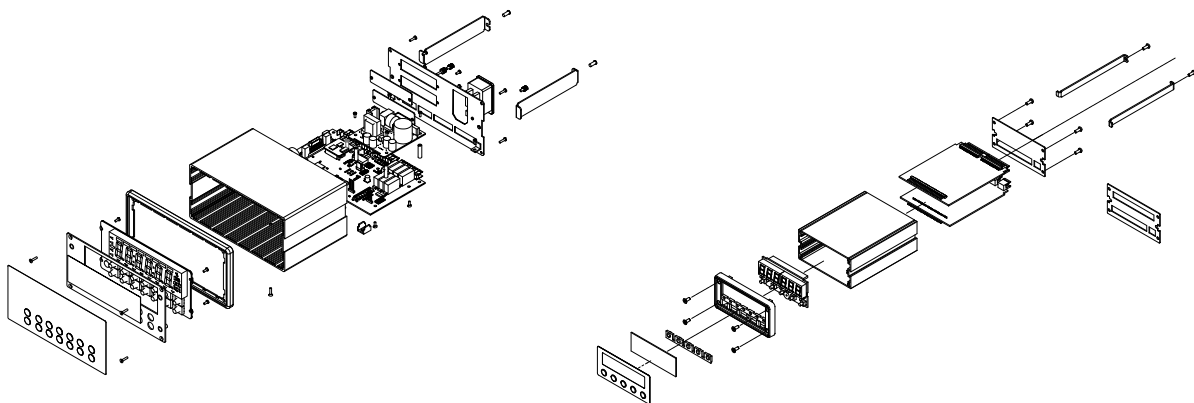
Indicator Selection Guide

		SI200	SI300	SI400	SI400S	SI410	SI4630E	SI460A SI480E	SI460C SI580E	SI 560A	SI510	SI520	SI530	SI540	SI550
FUNCTION	Hold	●	●	●	●	●	●	●	●	●		●	●	●	●
	Sub Display									●	●	●	●	●	●
	Parts Number Memory(kinds)			50	50	50					50	50	50	50	50
	Control Method (step)					4			2	2	3	3	3	3	3
	Relay Output (pcs)					7			4	4	7	7	7	7	7
	External Input (pcs)		2	6	4	6		2	4	4	6	6	6	6	6
APPLICATION	Truck Scale	●	●	●	●	●	●	●							
	Animal Scale	●	●	●	●	●	●	●							
	Checkweigher					●			●	●		●	●		
	Packer					●			●	●	●	●		●	
	Filler					●			●	●	●	●		●	
	Tank Scale	●	●	●	●	●	●	●	●	●	●	●	●	●	●
	Tester			●	●	●	●	●	●	●	●	●	●	●	
	Limit					●			●	●	●	●	●	●	
WEIGHING MODE	Packer					●			●	●	●	●	●	●	
	Checker					●			●	●			●		
	Accumulator					●			●						
	User Choice					●			●						

INTERFACE & OPTION	SI200	SI300	SI400	SI400S	SI410	SI4630E	SI460A SI480E	SI460C SI580E	SI 560A	SI510	SI520	SI530	SI540	SI550
Current Loop		●	●	●	●	●				●	●	●	●	●
RS232	●	●	●	●	●	●				●	●	●	●	●
RS485/RS422	SELEC						●	●	●					
Analog Out 0-10V			OP		OP	OP		SELEC	SELEC	OP	OP	OP	OP	OP
Analog Out 4~20mA			OP		OP	OP	●	●		OP	OP	OP	OP	OP
Extention Serial Port	RS232C		OP	OP	OP	OP				OP	OP	OP	OP	OP
	RS422		OP	OP	OP	OP				OP	OP	OP	OP	OP
	RS485		OP	OP	OP	OP				OP	OP	OP	OP	OP
BCD IN			OP		OP				OP	OP	OP	OP	OP	OP
BCD OUT			OP		OP				OP	OP	OP	OP	OP	OP
Ethernet			OP		OP					OP	OP	OP	OP	OP
SD MEMORY CARD			OP		OP					OP	OP	OP	OP	OP
WIRELESS INTERFACE		●	OP		OP	OP				OP	OP	OP	OP	OP

► SI 400 / SI 500 Series Explode

► SI 480E / SI 580E Series Explode



SI 400 / SI 400S



Feature

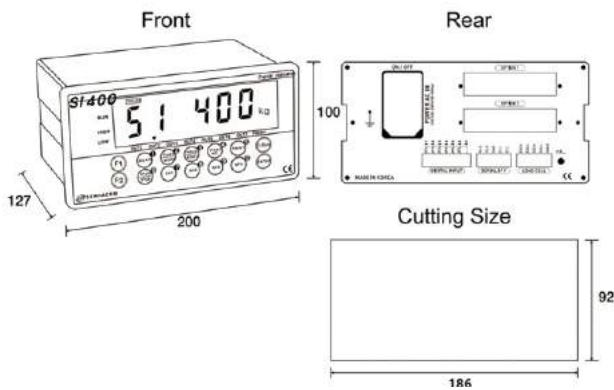
- Dual color display
- User custom setting : External input
- Hold Function : Sample, Average, Peak
- SD memory (Option card)
- MODBUS(RTU) protocol (Option card)



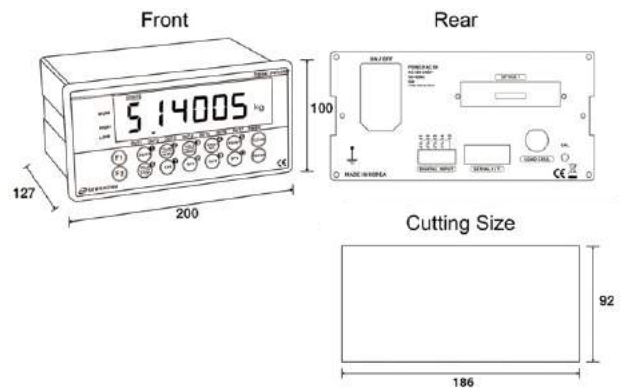
Feature

- Red FND
- User custom setting External input
- MODBUS(RTU) protocol (Option card)

Physical Dimension [Unit:mm]

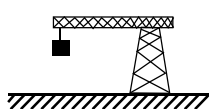


Physical Dimension [Unit:mm]



INDICATOR

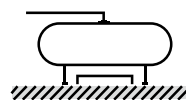
		SI 400/SI 400S	
ANALOG PART	Input Sensitivity	Min. 0.1 μ V / Digit	
	Load Cell Excitation	DC 5V	
	Non-Linearity	0.001% of Full Scale	
	Input Signal	Max 3.0 mV/V	
	A/D Sampling	Max 120 time/sec, Sigma-Delta	
	Resolution	Internal: 1/2,000,000 Display: 1 / 20,000	
DISPLAY PART	Main Display	7 Segment, 6 Digit Red FND, Letter size : 25.4mm	
	State Alarm	Green LED, 8EA	
	Under Zero	Minus(-) Display	
GENERAL PART	Power Supply	Free Voltage(AC 100V~240V, 50/60Hz)	
	Operating Condition	Temperature: -10°C ~ +40°C, Humidity: Under 85% RH	
	Size/Weight	200(W)x100(H)x126.5(D) / 1.23kg	
	Interface	RS232C, Current loop Standard built in, Modbus (Option)	
	External Input	6EA	4EA
	Relay Output	None	None
	Option	Analog Output 0-10V, 4-20mA / Serial Interface RS232C, RS422, RS485 BCD Input / BCD Output / Ethernet / SD memory card	
		Serial RS232C/RS422/RS485	



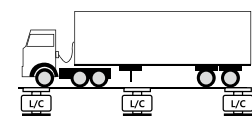
Crane Scale



Tester



Tank Scale



Truck Scale

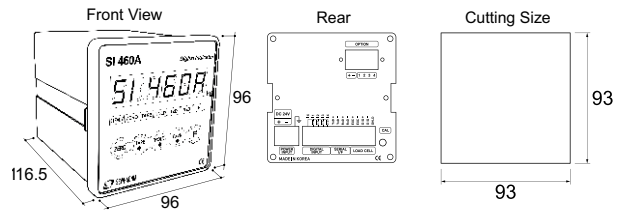
SI 460A



Feature

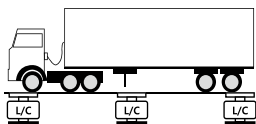
- Hold Function : Sample, Average, Peak
- Power Selectable : DC & AC Ordering Spec.
- MODBUS(RTU) protocol
- Option : Serial Comm. Analog Out.

Physical Dimension [Unit:mm]

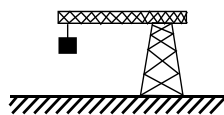


INDICATOR

		SI 460A
ANALOG PART	Input Sensitivity	Min. 0.1 μ V / Digit
	Load Cell Excitation	DC 5V
	Non-Linearity	0.001% of Full Scale
	Input Signal	Max 3.0 mV/V
	A/D Sampling	Max 120 time/sec, Sigma-Delta
	Resolution	Internal : 1/1,000,000 Display: 1/20,000
DISPLAY PART	Main Display	7 Segment, 6 Digit Red FND, Letter size : 16.2mm
	Under Zero	Minus(-) Display
	Φ 2 LED	STEADY, ZERO, TARE, HOLD, TxD, RxD, F
GENERAL PART	Power Supply (Order Selectable)	DC12~24V, 12W Free Voltage(AC 100V~240V, 50/60Hz)
	Operating Condition	Temperature: -10°C~+40°C, Humidity: Under 85% RH
	Size/Weight	96(W) x 96(H) x 116.5(D) mm / 0.5kg(DC) 0.7kg(AC)
	Interface	RS422 & RS485 Modbus
	External Input	4EA
	Option	RS232C, Analog output 4-20mA, 0-10V



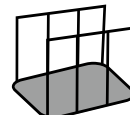
Truck Scale



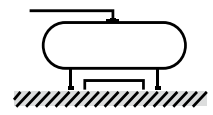
Crane Scale



Tester



Animal Scale



Tank Scale

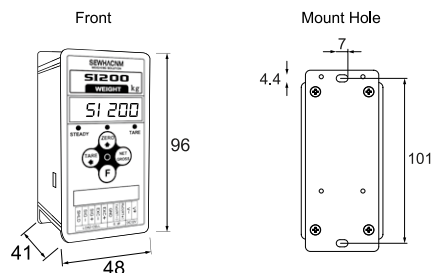
SI 200



Feature

- Wall or Rail mounting type
- Hold Function : Sample, Average, Peak
- RS232C & RS485 interface(User Selectable)

Physical Dimension [Unit:mm]



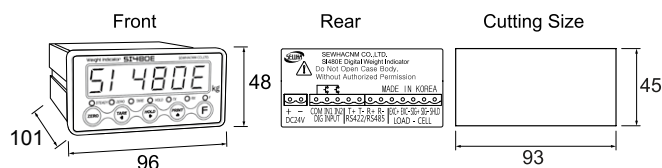
SI 480E



Feature

- User custom setting : External input
- Hold Function : Sample, Average, Peak
- MODBUS(RTU) protocol

Physical Dimension [Unit:mm]



INDICATOR

		SI 200	SI 480E
ANALOG PART	Input Sensitivity	Min. 0.1 μV / Digit	
	Load Cell Excitation	DC 5V	
	Non-Linearity	0.001% of Full Scale	
	Input Signal	Max 3.0 mV/V	
	A/D Sampling	Max 120time/sec, Sigma-Delta	
	Resolution	Internal : 1/1,000,000 Display : 1/20,000	
DISPLAY PART	Main Display	7 Segment, 6 Digit Red FND, H= 7.6 mm	7 Segment, 6 Digit Red FND, H= 16.2 mm
	Under Zero	Minus(-) Display	
	φ2 LED	STEADY, ZERO, TARE, RTxD	STEADY, ZERO, TARE, HOLD, Tx, Rx, F
GENERAL PART	Power Supply	DC12~24V	DC12~24V, 8W (SMPS)
			Free Voltage(AC 100V~240V, 50/60Hz)
	Operating Condition	Temperature: -10°C~+40°C, Humidity: Under 85% RH	
	Size/Weight	(W)48 x (H)96 x (D)41 mm / 140g	(W)96 x (H)48x (D)135 MM / Weight: 1.0kg
	Interface	RS232C / RS485 (User Selection)	Standard: RS422 & RS485, Special order: RS232C
	External Input	NONE	2EA
	Key pad	ZERO, TARE, F.NET/GROSS	NONE
	Relay Output	NONE	
Option	NONE		

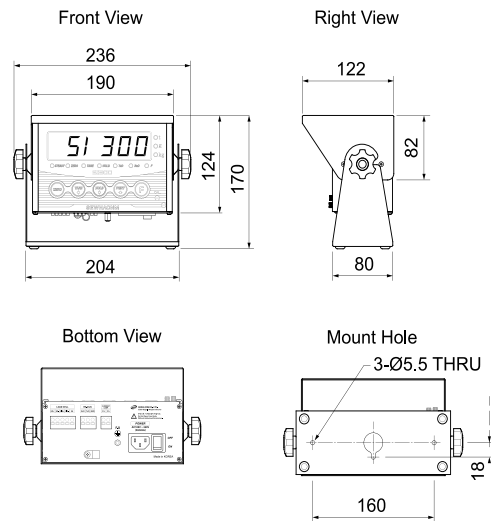
SI 300A



Feature

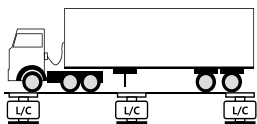
- Wall Mounting Type
- Hold Function : Sample, Average, Peak

Physical Dimension [Unit:mm]

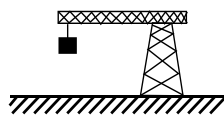


INDICATOR

		SI 300A
ANALOG PART	Input Sensitivity	Min. 0.1 μV / Digit
	Load Cell Excitation	DC 5V
	Non-Linearity	0.001% of Full Scale
	Input Signal	Max 3.0 mV/V
	A/D Method & Sampling	Max120time/sec, Sigma-Delta
	Resolution	Internal: 1/2,000,000 ($\pm 1,000,000$) Display: 1/20,000
DISPLAY PART	Main Display	7 Segment, 6 Digit, H= 25.4 mm, RED Color FND
	Under Zero	Minus (-) Display
	"■" Status Lamp	STEADY, ZERO, TARE, HOLD, TxD, RxD, PRT, BAT Green Color
	"▼" Status Lamp	8 pcs, Green Color
	"◀" Status Lamp	4 pcs, Green Color
	FONT Red LED Status Lamp	g, kg, t, pcs, oz, lb
GENERAL PART	Power Supply	Free Voltage(AC 100V~240V, 50/60Hz)
	Operating Condition	Temperature: -10°C ~ +40°C, Humidity: Under 85% RH
	Size / Weight	(W)190 x (H)124 x (D)122mm / Weight: 2kg
	Interface	RS232C & Current Loop



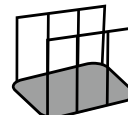
Truck Scale



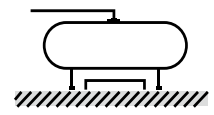
Crane Scale



Tester



Animal Scale



Tank Scale

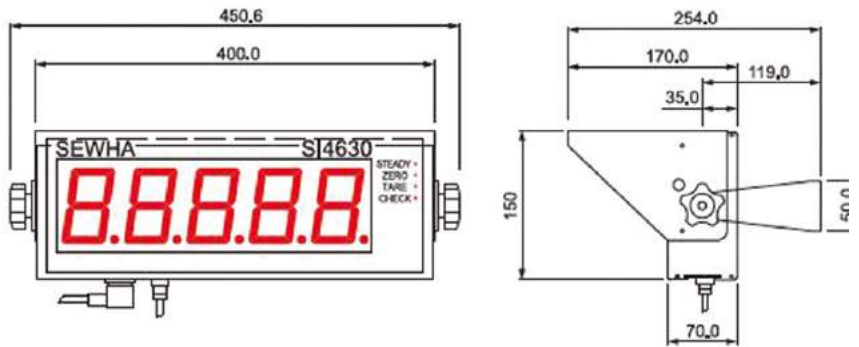
SI 4630E



Feature

- Wall Mount Type, External Display Type Indicator
- Hold Function : Sample, Average, Peak
- Option : Serial Comm, Analog out, Relay output

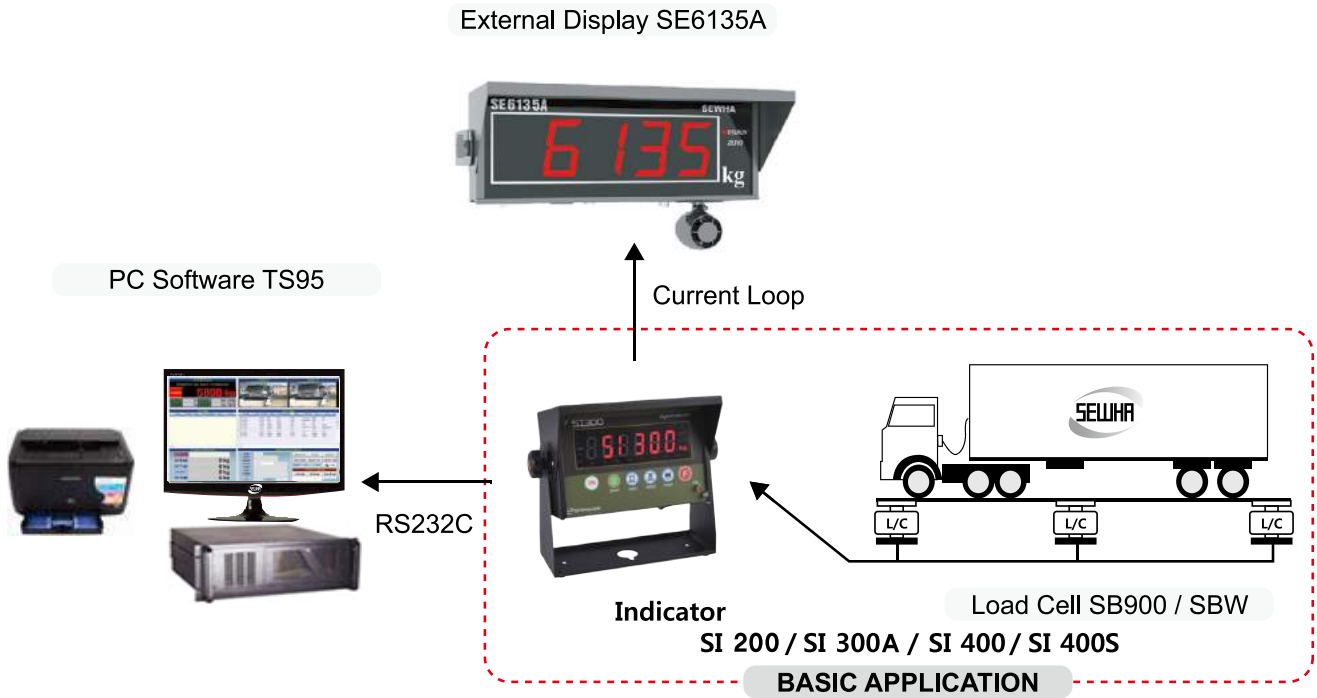
Physical Dimension [Unit:mm]



INDICATOR

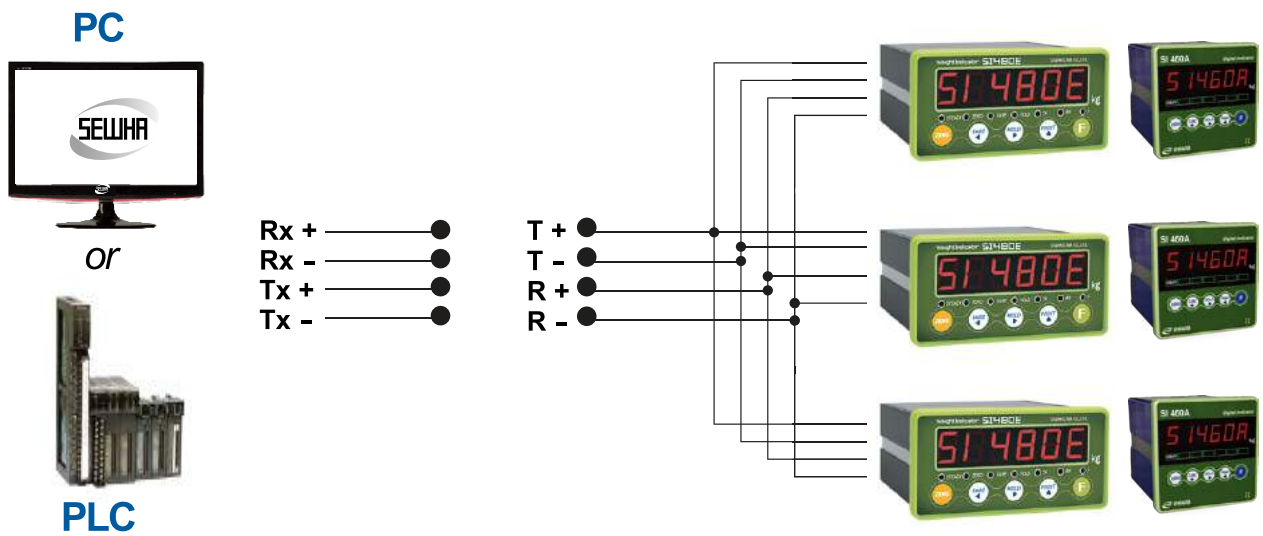
		SI 4630E
ANALOG PART	Input Sensitivity	Min. 0.1 μ V / Digit
	Load Cell Excitation	DC 5V
	Non-Linearity	0.001% of Full Scale
	Input Signal	Max 3.0 mV/V
	A/D Sampling	Max 120 time/sec, Sigma-Delta
	Resolution	Internal: 1/1,000,000 Display: 1/20,000
DISPLAY PART	Main Display	7 Segment, 5 digits RED FND, H= 76.2 mm
	Under Zero	Minus(-) Display
	Φ 2 LED	STEADY, ZERO, TARE, CHECK
GENERAL PART	Power Supply	Free Voltage(AC 100V~240V, 50/60Hz)
	Operating Condition	Temperature: -10°C~+40°C, Humidity: Under 85% RH
	Size/Weight	Free Voltage(AC 100V ~ 240V, 50/60Hz)
	Interface	RS232C Serial interface & Current Loop built in
	Key pad	Wired key pad
	Option	Analog Output 4~20mA, 0~10V / Serial Interface RS422, RS485 Bluetooth (Wireless) / IR wireless key pad

Industrial Scale - Using SI200 / SI300 / SI400 / SI400S



INDICATOR

SI460A, SI480E Network Composition By RS422



Max 32 Set of SI480E or SI460A are Connectable

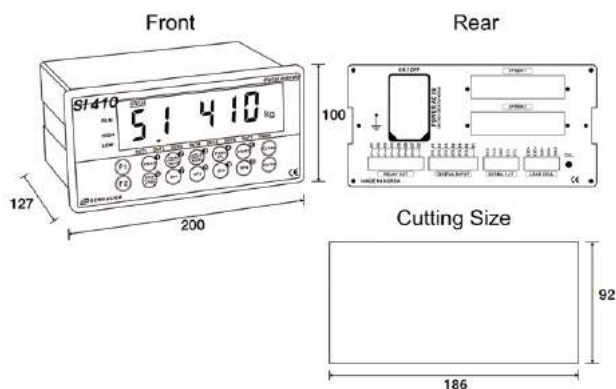
SI 410



Feature

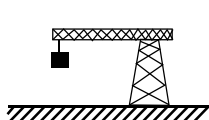
- Dual color display
- Weighing mode : Limit mode, Packer mode, Checker mode, Accumulating mode
- User custom setting : External input, Relay output
- Hold Function : Sample, Average, Peak
- SD memory (Option card)
- MODBUS(RTU) protocol (Option card)

Physical Dimension [Unit:mm]



INDICATOR

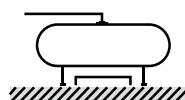
		SI 410
ANALOG PART	Input Sensitivity	Min. 0.1 μ V / Digit
	Load Cell Excitation	DC 5V
	Non-Linearity	0,001% of Full Scale
	Input Signal	Max 3,0 mV/V
	A/D Sampling	Max 120 time/sec, Sigma-Delta
	Resolution	Internal: 1/2,000,000 Display: 1/20,000
DISPLAY PART	Main Display	7 Segment, 6 Digit Red FND, Letter size: 25,4mm
	State Alarm	Green LED, 8EA
	Under Zero	Minus(-) Display
GENERAL PART	Power Supply	Free Voltage(AC 100V~240V, 50/60Hz)
	Operating Condition	Temperature: -10°C~+40°C, Humidity: Under 85% RH
	Size/Weight	200(W)x100(H)x126.5(D) / 1,25kg
	Interface	RS232C, Current loop, Modbus (Option)
	External Input	6EA
	Relay Output	7EA (User Selectable)
	Option	Analog Output 0-10V, 4-20mA / Serial Interface RS232C, RS422, RS485 BCD Input / BCD Output / Ethernet / SD memory card



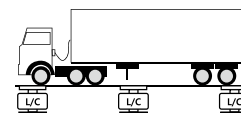
Crane Scale



Tester



Tank Scale



Truck Scale

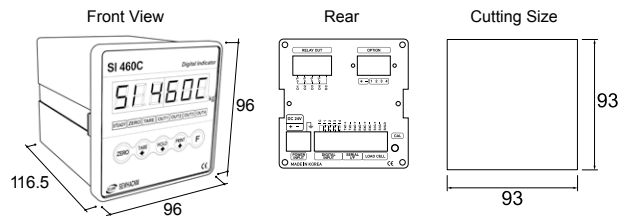
SI 460C



Feature

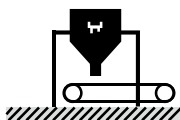
- Weighing mode : Limit mode, Packer mode, Checker mode, Accumulating mode
- User custom setting : External input, Relay output
- Power Selectable : DC & AC Ordering Spec.
- MODBUS(RTU) protocol
- Option : Serial Comm. Analog out

Physical Dimension [Unit:mm]

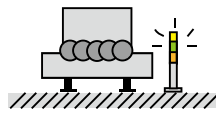


INDICATOR

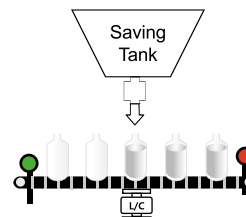
		SI 460C
ANALOG PART	Input Sensitivity	Min. 0.1 μ V / Digit
	Load Cell Excitation	DC 5V
	Non-Linearity	0.001% of Full Scale
	Input Signal	Max 3.0 mV/V
	A/D Sampling	Max 120 time/sec, Sigma-Delta
	Resolution	Internal : 1/1,000,000 Display : 1/20,000
DISPLAY PART	Main Display	7 Segment, 6 Digit Red FND, Letter size : 16.2mm
	Under Zero	Minus(-) Display
	Φ 2 LED	STEADY, ZERO, TARE, HOLD, TxD, RxD, F
GENERAL PART	Power Supply (Order Selectable)	DC12~24V, 12W Free Voltage(AC 100V~240V, 50/60Hz)
	Operating Condition	Temperature : -10°C~+40°C, Humidity: Under 85% RH
	Size/Weight	96(W) x 96(H) x 116.5(D) mm / 0.5kg(DC) 0.7kg(AC)
	Interface	RS422 & RS485, Modbus
	External Input	4EA
	Relay Output	4EA
	Option	RS232C, Analog output 4-20mA, 0-10V



Auto Packer



Auto Checker



Filler Application

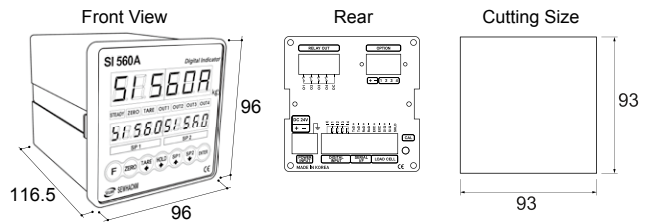
SI 560A



Feature

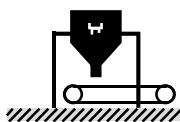
- Dual display(Main, P/N, SP1, SP2, SP3, SP4)
- Weighing mode : Limit mode, Packer mode, Checker mode
- User custom setting : External input, Relay output
- Power Selectable : DC & AC Ordering Spec.
- MODBUS(RTU) protocol

Physical Dimension [Unit:mm]

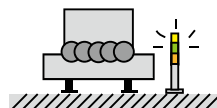


INDICATOR

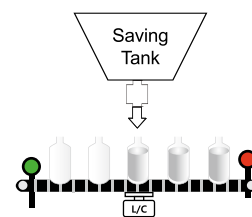
		SI 560A
ANALOG PART	Input Sensitivity	Min. 0.1 μ V / Digit
	Load Cell Excitation	DC 5V
	Non-Linearity	0.001% of Full Scale
	Input Signal	Max 3.0 mV/V
	A/D Sampling	Max 120 time/sec, Sigma-Delta
DISPLAY PART	Resolution	Internal: 1/1,000,000 Display: 1/20,000
	Main Display	6 Digit Red FND, Letter size : 15 mm /
	Sub Display	10 Digit Red FND, Letter size : 13.5 mm
	Under Zero	Minus(-) Display
GENERAL PART	LED	STEADY, ZERO, TARE, OUT1, OUT2, OUT3, OUT4
	Power Supply (Order Selectable)	DC12~24V, 12W Free Voltage(AC 100V~240V, 50/60Hz)
	Operating Condition	Temperature: -10 $^{\circ}$ C~+40 $^{\circ}$ C, Humidity: Under 85% RH
	Size/Weight	96(W) x 96(H) x 116.5(D) mm / 0.5kg(DC) 0.7kg(AC)
	Interface	RS422 & RS485, Modbus
	External Input	4EA
	Relay Output	4EA
	Option	RS232C, Analog output 4-20mA, 0-10V



Auto Packer



Auto Checker



Filler Application

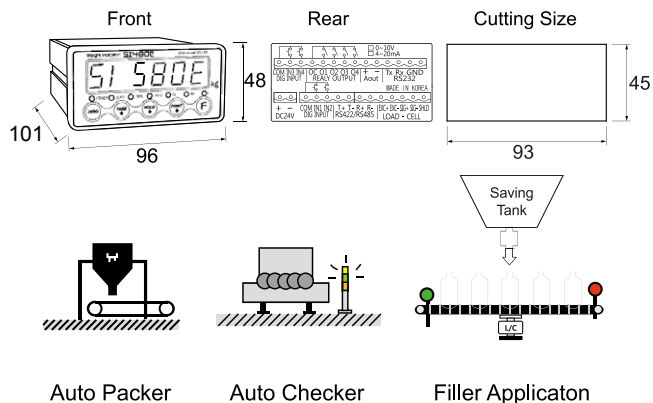
SI 580E



Feature

- Weighing mode : Limit mode, Packer mode, Checker mode, Accumulating mode
- User custom setting : External input, Relay output
- MODBUS(RTU) protocol

Physical Dimension [Unit:mm]



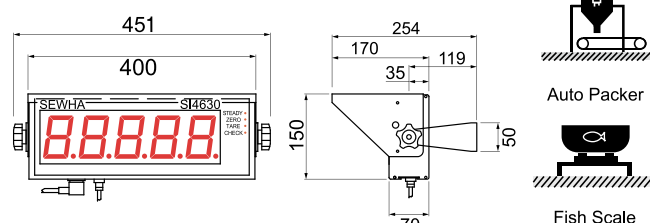
SI 4630EF



Feature

- Wall Mount Type, External Display Type Indicator
- Hold Function : Sample, Average, Peak
- Option : Serial Comm, Analog out, Relay output
- Weighing mode(SI4630EF) : Limit mode, Packer mode, Accumulating mode

Physical Dimension [Unit:mm]



INDICATOR

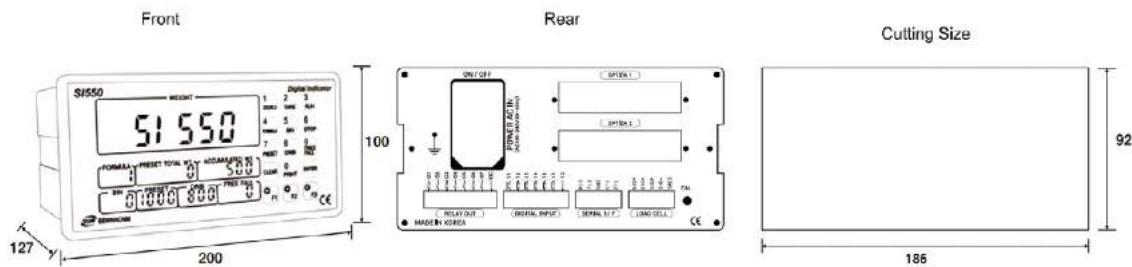
		SI 580E	SI 4630EF
ANALOG PART	Input Sensitivity	Min. 0.1 μ V / Digit	
	Load Cell Excitation	DC 5V	
	Non-Linearity	0.001% of Full Scale	
	Input Signal	Max 3.0 mV/V	
	A/D Sampling	Max 120 time/sec, Sigma-Delta	
Resolution	Internal: 1/1,000,000 Display: 1/20,000		
DISPLAY PART	Main Display	7 Segment, 6 Digit Red FND, H=16.2mm	7 Segment, 5 digits RED FND, H= 76.2 mm
	Under Zero	Minus(-) Display	
	Φ 2 LED Status Lamp	STEADY, ZERO, TARE, OUT1, OUT2, OUT3, OUT4	STEADY, ZERO, TARE, CHECK
GENERAL PART	Power Supply	DC12~24V, 12W	Free Voltage(AC 100V~240V, 50/60Hz)
		Free Voltage(AC 100V~240V, 50/60Hz)	
	Operating Condition	Temperature: -10°C~+40°C, Humidity: Under 85% RH	
	Size/Weight	(W)96 x (H)48 x (D)135 MM / Weight: 1.0kg	(W)400 x (H)150 x (D)170 mm / 4.8 Kg
	Interface	Slot 1 - Standard : RS422 & RS485 / Special order : RS232C Slot 2 - Standard : RS232C / Special order : RS422 & RS485	RS232C Serial interface & Current Loop built in
	Analog Output	Analog Output 4~20mA, 0~10V	NONE
	External Input	NONE	4EA
	Key pad	4EA	Wired key pad
	Relay Output	4EA	4EA
	Option	NONE	Analog Output 4~20mA, 0~10V / Serial Interface RS422, RS485 Bluetooth (Wireless) / IR wireless keypad

Common Specification of Precision Control Indicator

SI 510 / SI 520 / SI 530 / SI 540 / SI 550

MODEL	SI510	SI520	SI530	SI540	SI550
Application	Packer	Quantity Count	Checker	Loss-in Weight weighing	Accumulation weighing
WEIGHING CONTROL	Limit Mode	●	●	●	
	Packer Mode	●	●	●	
	Checker Mode	●	●	●	
	Loss-in Weight Mode				●
	Batch Mode				

Physical Dimension [Unit:mm]



INDICATOR

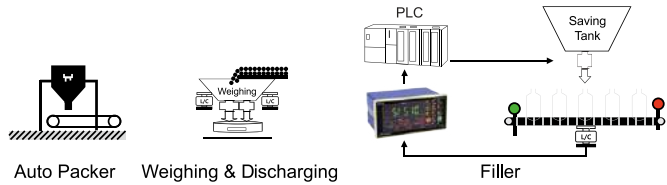
	SI 510	SI 520	SI 530	SI 540	SI 550
ANALOG PART	Input Sensitivity	Min. 0.1 μV / Digit			
	Load Cell Excitation	DC 5V			
	Non-Linearity	0.001% of Full Scale			
	Input Signal	Max 3.0 mV/V			
	A/D Method & Sampling	Max 200 times / sec Sigma Delta			
Resolution	Internal: 1/2,000,000 ($\pm 1,000,000$) Display: 1/20,000				
DISPLAY PART	Main Display	"7 Segment, 6 Digit, H= 20 mm, Minus(-) Display RED / GREEN Dual Color FND"			
	Sub Display	7 Segment, 15 Digit Red FND 2 Lines, H =9.0mm			
	"■" Status Lamp	"STEADY, ZERO, TARE, HOLD, RUN, TxD, RxD, OUT1~OUT7(16pcs RED/GREEN Dual Color), Spare 2 pcs"			
	FONT Red LED Status Lamp	g, kg, t, pcs, oz, lb			
GENERAL PART	Power Supply	Free Voltage(AC 100V~240V, 50/60Hz)			
	Operating Condition	Temperature: -10°C ~ +40°C, Humidity: Under 85% RH			
	Size / Weight	(W)200 x (H)100(D)127 mm / Weight: 1.25kg			
	Interface	RS232C & Current Loop			
	External Input	6 EA			
	Relay Output	7 EA (user selectable)			
	Option	Analog Output 0~10V / 4~20mA / RS232C / RS485 / RS422 / BCD IN / BCD OUT / Ethernet / SD Memory Card / Wireless Interface			

SI 510 Packaging control Indicator



Feature

- Multi display(Main, P/N, Free fall, Final, Pre1)
- Weighing mode : Limit mode, Packer mode
- Automatic free fall compensation function

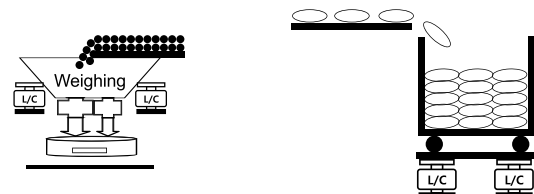


SI 520 Quantity control Indicator



Feature

- Multi display(Main, P/N, Count, Unit weight)
- Precise auto counting/unit weight
- Weighing mode : Limit mode, Packer mode, Checker mode



Auto Packer

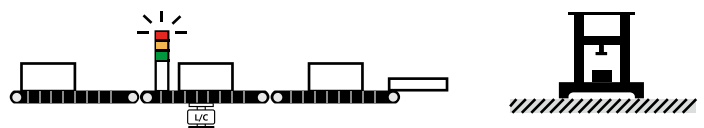
Auto Counting Scale

SI 530 Weight check control Indicator



Feature

- Mutil display(Main, P/N, Count, Over, Under, Pass)
- Low-end type checkweigher, Laboratory tester
- Weighing mode : Photo Sensing mode, Peak Hold mode Normal checker mode



Auto Check Weigher

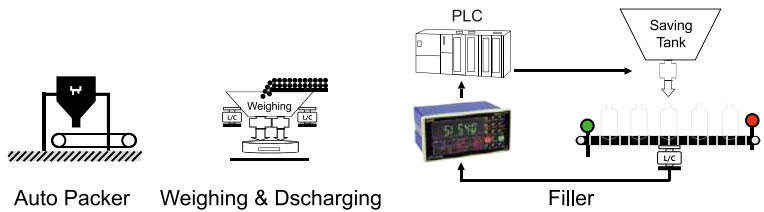
Tester

SI 540 Packaging control Indicator(Loss in weight)



Feature

- Mutil display(Main, P/N, Free fall, Final, Pre2, Pre1)
- Weighing mode : Limit mode, Packer mode, Loss in Weighing mode
- 3 Step control for each material

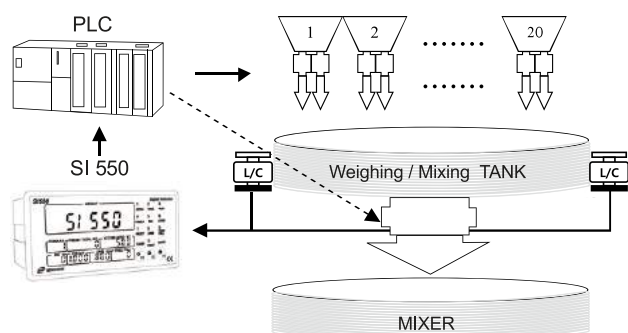


SI 550 Multiple mixture control Indicator

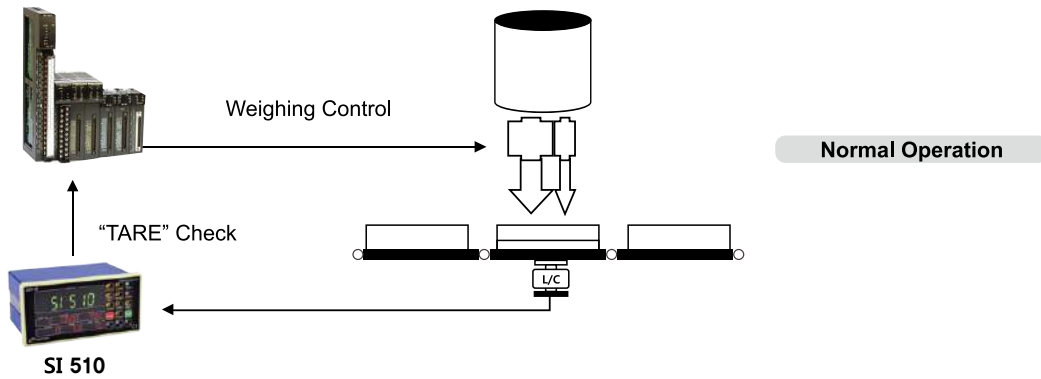


Feature

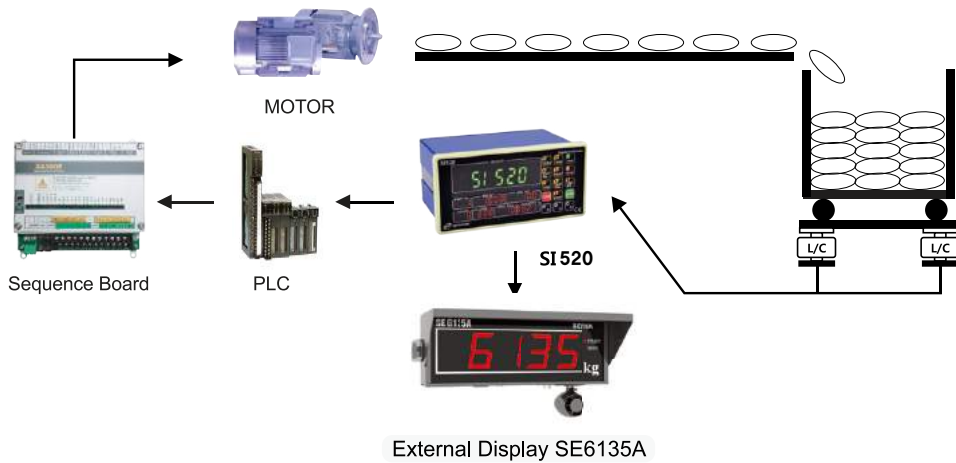
- Mutil display(Main, Formula, Bin no., Free fall, Pre1, Final, Pre1,Operating)
- 50 kinds fomula(Max. 20 kinds material)
- Auto batch accumulation mode with PLC(BCD input, BIN output)
- 2 Step control for each material(Bin)



Auto Packer Using SI 510

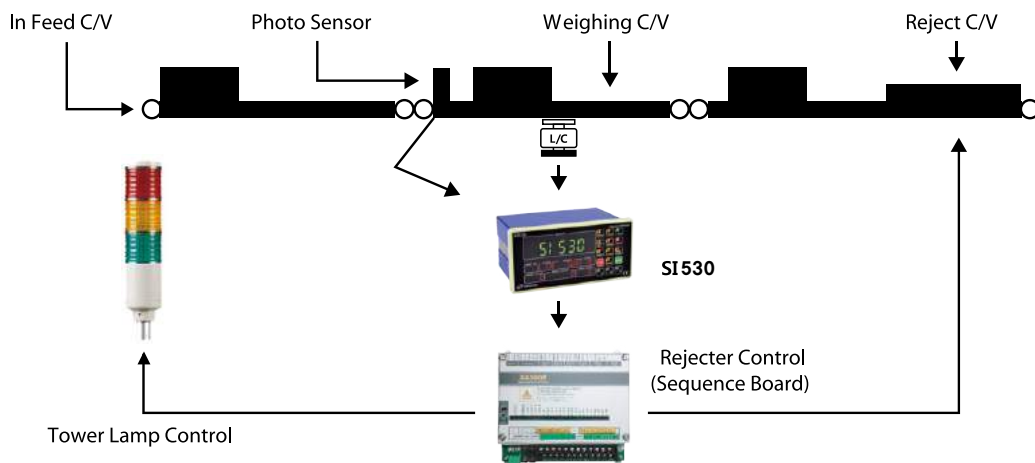


Quantity Control Application Using SI 520

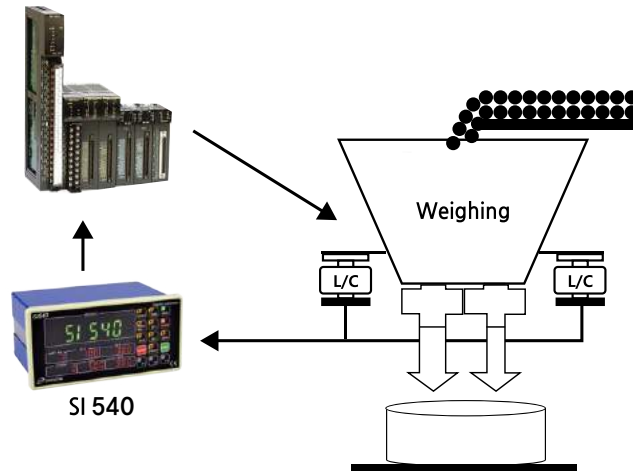


INDICATOR

Auto Check Weighing Application Using SI 530



Loss In Weight Application Using SI 540



1) 1 Step Feeding / 2 Step Discharge Mode

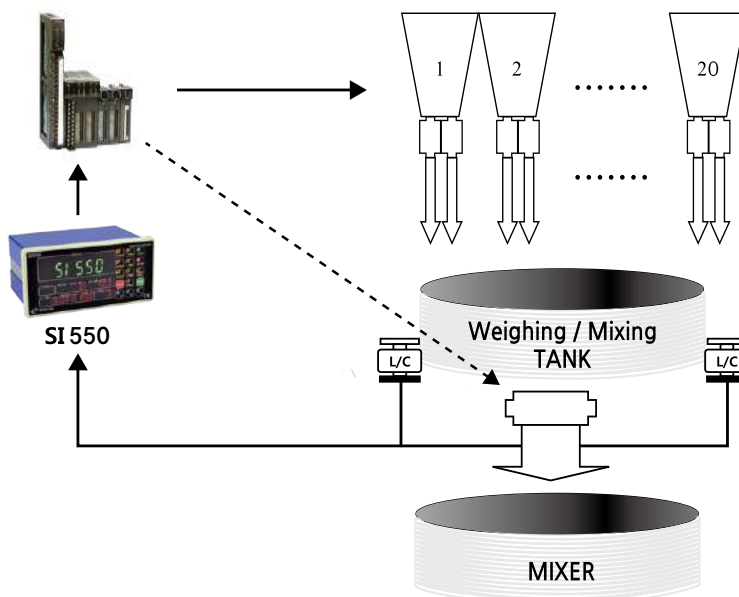
- PRE 1 : Feeding Limit (ON : Stop Feeding / OFF : Start Feeding)
- PRE 2 : Bulk Discharge
- FREE FALL

1) 2 Step Feeding / 1 Step Discharge Mode

- PRE 1 : Under Limit of Feeding
- PRE 2 : Over Under Limit of Feeding
- FREE FALL

INDICATOR

Accumulating Mixing Application Using SI 550



SI 400 / SI 500 Series Option Cards



BCD IN



BCD OUT



Ethernet



SD Memory Card



Serial Communication
(RS232C, RS422, RS485)



Analog Output
(4-20mA, 0-10V)

INDICATOR

SE 6125A / SE 6135A / SE 6145A / SE 6165A

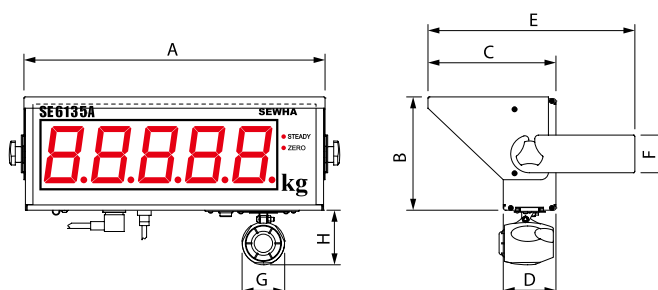


Feature

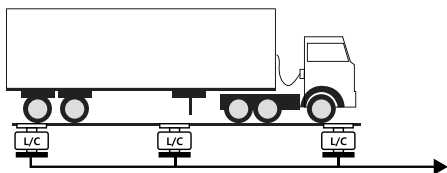
- Wall Mounting Type
- RS232C / RS485, Current Loop Auto detection
- Connectable to Other Brand's Indicators
- Communication Speed Auto Setting (2,400 ~ 115,200 bps)
- Buzzer Option

Unit (mm)	A	B	C	D	E	F	G	H
SE 6125A	330	131	150	70	255	50	57	73
SE 6135A	400	151	170	70	275	50		
SE 6145A	545	183	185	70	290	50		
SE 6165A	720	247	210	70	325	70		

Physical Dimension [Unit:mm]



	DIGIT HEIGHT	WEIGHT	POWER	OPERATING CONDITION	DIMENSION A x B x C (mm)
SE 6125A	2.3 inch	2.5 kg	Free Voltage (AC 100V~240V, 50/60Hz)	- 10°C ~ + 40°C Under 85% RH	330 x 131 x 150
SE 6135A	3 inch	4.5 kg			400 x 151 x 170
SE 6145A	4 inch	7.0 kg			545 x 183 x 185
SE 6165A	6 inch	9.0 kg			720 x 247 x 210



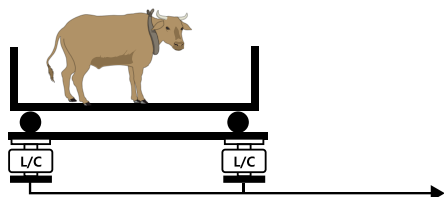
Truck Scale



Indicator



SE6125A / SE6135A / SE6145A / SE6165A



Animal Scale



Indicator



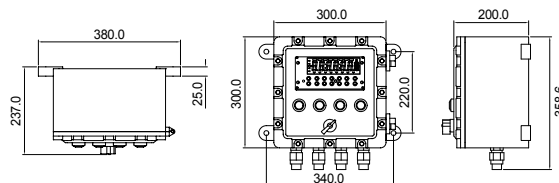
SE6125A / SE6135A / SE6145A / SE6165A

Indicator Box & Printer

Indicator Box

- Material : Polyester Coating Steel
- Gross Weight : 3~7kg
- External Input (Switch) Wire Connecting Standard Finished
- Switch Can be Changeable
- Customized : Stainless steel Type

[SE400EX]
Physical Dimension [Unit:mm]



SE4010	SE4020	SE4021	SE400EX (Explosion proof Ex d IIB T6)
			
POWER, ZERO, TARE (W)280 x(H)240 x(D)300mm	POWER, ZERO, TARE, PRINT (W)400 x(H)260 x(D)330mm	POWER, PRINT (W)250 x(H)260 x(D)270mm	POWER, ZERO, TARE (W)300 x(H)300 x(D)200mm



Printer

MODEL	SE7200 (Desk Type)	SE7300 (Panel Type)
-------	--------------------	---------------------

SE 7300 S / D

- { D : Dot Impact Type
- { T : Thermal Type
- { S : Serial Type
- { P : Parallel Type
- { 7200 : Desk Type
- { 7300 : Panel Type



DIMENSION / WEIGHT	(W)110 x(L)165 x(D)85mm / 1.5kg	(W)120 x(L)130 x(D)90mm / 1.5kg
CUTTING SIZE	NONE	(W)107 x(H)113mm
POWER	Standard : DC 12V, 1.5A, Option : Adapter AC 110V/220V	
OPERATING CONDITION	Temperature: 0°C ~ 50°C	
PRINTING METHOD	Dot Impact Type	Thermal Type
COLUMNS	24/30 40	24/32 36/42
FONT SIZE	Eng: 8x14, Kor: 16x14 Eng: 6x12, Kor: 12x12	Eng: 12x24, Kor: 24x24 Eng: 9x24, Kor: 18x24
SPEED	1.6 line/sec.	
DOT / LINE	240	
PAPER INFO	(W)57mm x Ø50 Roll Paper	(W)57mm x Ø50 Thermal Roll Paper
CARTRIDGE	ERC - 09	
INTERFACE	RS232C Serial / Centronics Parallel	
SUPPLIES	 Cartridge: ERC-09	 Roll Paper : (W)57mm x Ø50 (Dot / Thermal)

SOC - 200



Feature

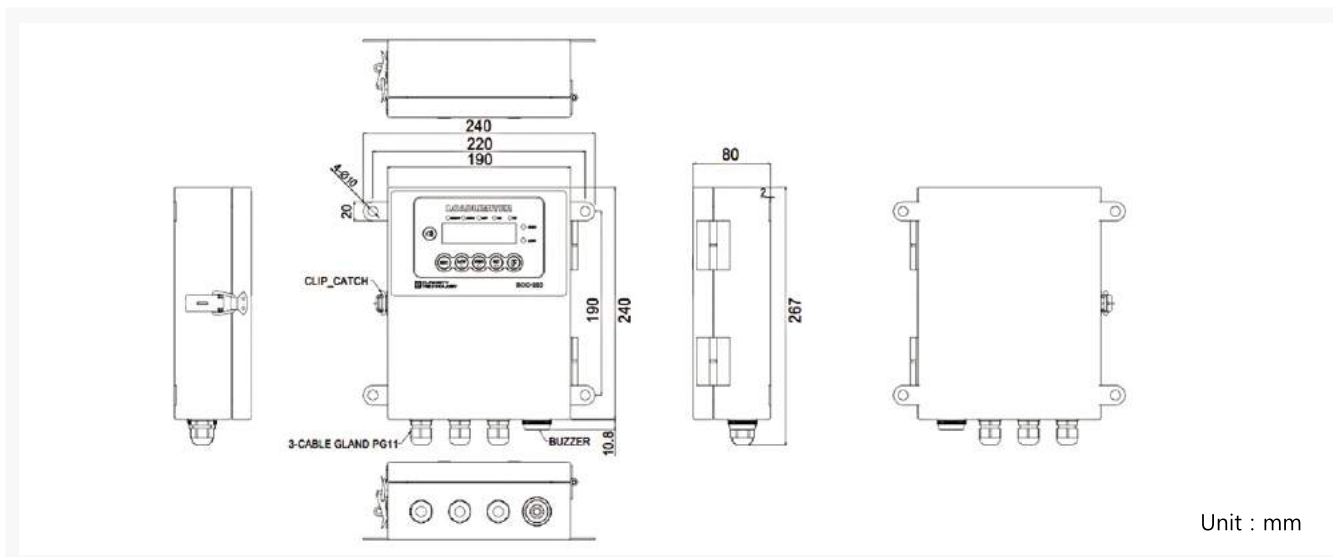
- RS232C & Current Loop Standard
- Wall Mounting Type

System Application

- Load Limit Controller Purpose
- Overload limiting Application

		SOC – 200
ANALOG PART	Input Sensitivity	Minimum 0.1 μ V/Digit
	Load Cell Excitation	DC +5V
	Non-Linearity	0.001 % of Full Scale
	Input Signal	Maximum \pm 3.0 mV/V
	A/D Method & Sampling	Max 120 time/sec, Sigma-Delta
DISPLAY PART	Resolution	Internal : 1/2000,000, Display : 1/20,000
	Main Display	7 Segment, 5 digits RED FND, Letter Size 0.6 Inch
	Under Zero	Minus Display
	\varnothing 2 Red LED Status Lamp	STEADY, ZERO, SET, RX, TX, HIGH, LOW
GENERAL PART	Power supply	AC 220V, 8W
	Operating Condition	Temperature: -10°C ~ +40°C, Humidity : Under 85% RH
	Size / Weight	(W)20 x (H)270 x (D)80 mm / About 3kg
	Interface	RS232C
	Analogue output (2 Port)	Port 1: 4~20mA Port 2: 0~10V
	Relay output (2EA)	HIGH, LOW (Operating with Buzzer)

CONTROLLER



Unit : mm

Automatic Truck Scale Controller

SA 600FM

► Automatic Truck Scale Controller SA600FM



RECOGNITION TYPE	RFID Card, Key-Pad(Vehicle Number)
COMMUNICATION	RS422 (Converting RS232 by Converter)
DISPLAY OF WEIGHT	Current / Vehicle / NET (6 Digit)
PRINTER	Direct Thermal Printing, Auto Cutting
PAPER	Thermal Roll Paper: 78 x Ø70 (mm)
RFID CARD DISTANCE	Maximum: 200mm
SPEAKER	5W Speaker Built-in
TEMPERATURE CONTROL	Fan / Heater Built-in
POWER SUPPLY	AC220V / 60Hz
R-PANEL SIZE / WEIGHT	(W)420 x(H)671 x(D)301 (mm) / 25kg (※H: Including Lamp)
OPTION	PC / Camera / Inter-Phone



CONTROLLER

► Automatic Truck Scale PC Software ATS2010



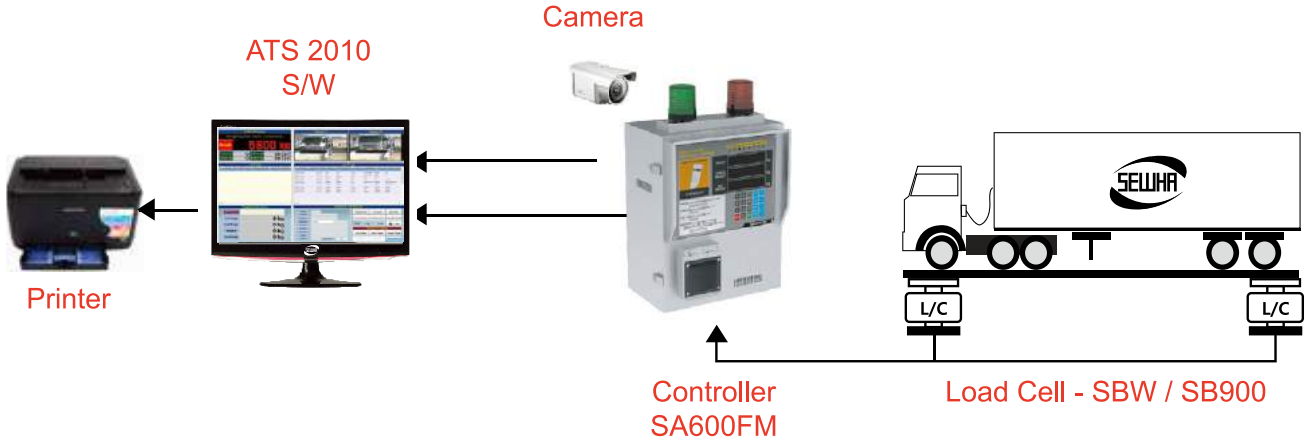
► Weighing Bill Sample



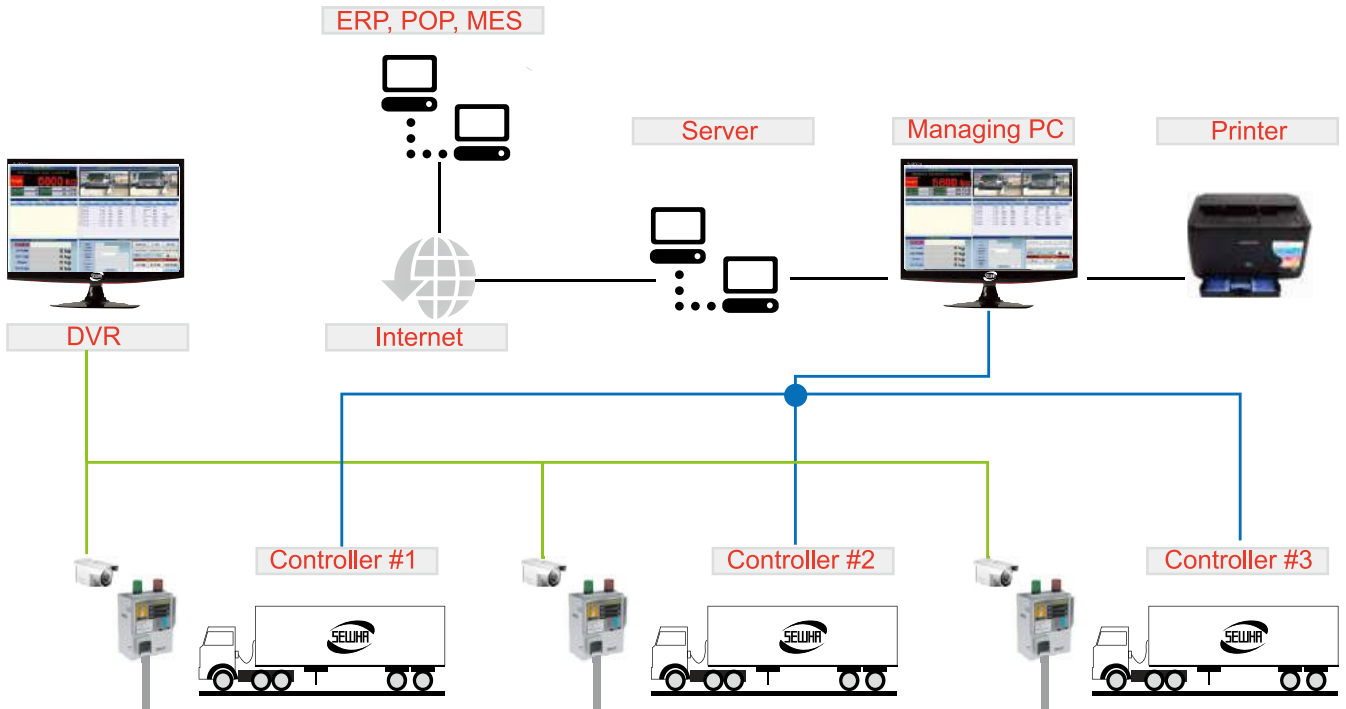
Basic Information Registrations & Management (User, Product, Truck, Transport, Customer)
 1st & 2nd Weighing Data / Material Code / Truck No. / Net Weight ..etc. All Weighing Data Will be Normalized In Data Base and Operator Can Make Weighing Report Daily / Weekly / Monthly / Annually.
 Various Kinds of Sorting Tools for Report. (Product, Customer, Truck, Date)

Automatic Truck Scale Controller

► Automatic Truck Scale System Basic Composition



► Automatic Truck Scale System Network Composition



CONTROLLER

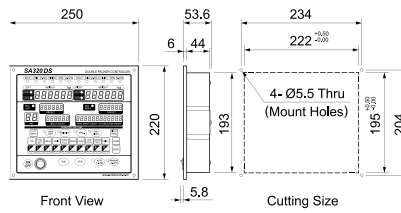
SA 310/320DS, SA4110~4140 Series

SA320DS (FND Type)

Display Type	FND
Display Size	250(L)x220(H)x50(D)mm(Double type)
Digit	7 Segment Red FND



Physical Dimension [Unit:mm]



Feature

- Easy to Install & Set up
- Convenient for user
- Accurate to weigh & Peak
- Stable and Proven to Specialists

Composition

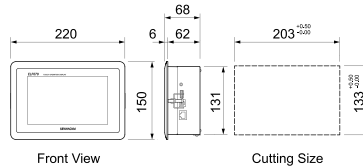
- Single(SA310DS) – SA310DS + SA300E(1EA)
- Double(SA320DS) – SA320DS + SA300E(2EA)

SA4120 (LCD Touch Type)

Display Type	TFT LCD
Display Size	7(inch) TFT Wide Screen (800 x480)
Color & Touch	260,000 Color, 4wire system, 300 cd



Physical Dimension [Unit:mm]



Feature

- Easy to Install & Set up
- Convenient for user
- Accurate to weigh & Peak
- Stable and Proven to Specialists

Composition

- Single(SA4110) – SA4110 + SA300E(1EA)
- Double(SA4120) – SA4120 + SA300E(2EA)
- Triple(SA4130) – SA4130 + SA300E(3EA)
- Quad(SA4140) – SA4140 + SA300E(4EA)

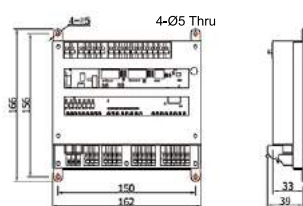
SA300E Controller



Feature

- PLC and input / output terminal combined type
- 3 PCS stable relay output – SP1, SP2, SP3.
- Automatic free fall compensation function.
- High resolution & performance A/D conversion
- Each type of display can be connectable.
- WATCH-DOG system can recover automatically when the MICOM has malfunction due to abnormal various from environment or noise.
- All in / output signal is composed by "Photo-coupled" to cover all noise from external environment and protected by data back-up function when the power input.
- Single / Double / Triple / Quad type are applied.

Physical Dimension [Unit:mm]

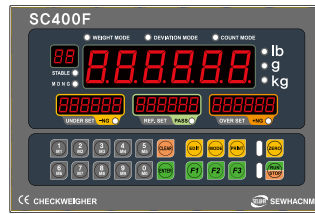


ANALOG PART	Input Sensitivity	Min. 0.1 μ V / Digit
	Load Cell Excitation	DC +5V
	Non-Linearity	0.001% of Full Scale
	Input Signal	Max \pm 3.0 mV/V
	A/D & Sampling	Max 120 times / sec, Sigma-Delta
	Resolution	Internal: 1/1,000,000 Display: 1/20,000
Drift	ZERO	10 PPM / $^{\circ}$ C
	SPAN	10 PPM / $^{\circ}$ C
GENERAL PART	Power Supply	Free Voltage (AC95 ~ 240V, 50/60 Hz)
	Operating Condition	Temperature: -10 $^{\circ}$ C ~ +40 $^{\circ}$ C, Humidity: Under 85% RH
	Size / Weight	(W)236 x(H)170 x(D)122 mm / Gross 0.8kg
Serial Interface	RS485(1 EA), RS232C (3 EA)	

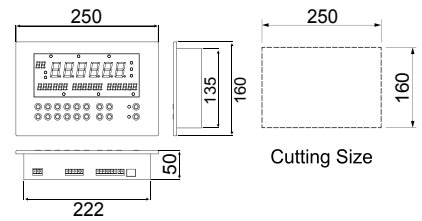
SC 400A / SC 400F



SC 400F



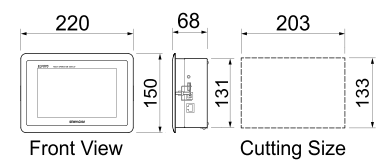
Physical Dimension [Unit:mm]



SC 400A



Physical Dimension [Unit:mm]



Feature

- Various Weighing mode (Current Weight, Deviation, Count)
- Maximum 180times Weighing per 1 Min.
- Relay output's function is selectable (Total 14 kinds / Relay Output : 8EA)
- High speed judgment & 50 P/N's set value is able to save
- [Option] Various external device is able to connect (Metal detector, Printer, PC)

SC400F (FND Type)	
Display Type	FND
Display Size	250(L)x160(H)x50(D)
Digit	7 Segmaent Red FND

SC400A (LCD Touch Type)	
Display Type	TFT LCD
Display Size	7(inch) TITF Wide Screen (800x480)
Color & Touch	260,000 Color, 4wire system, 300cd

Feature

- Easy to Install & Set up
- Convenient for user
- Accurate to weigh & Peak
- Stable and Proven to Specialists

Composition

- SC400F + SA300E

Feature

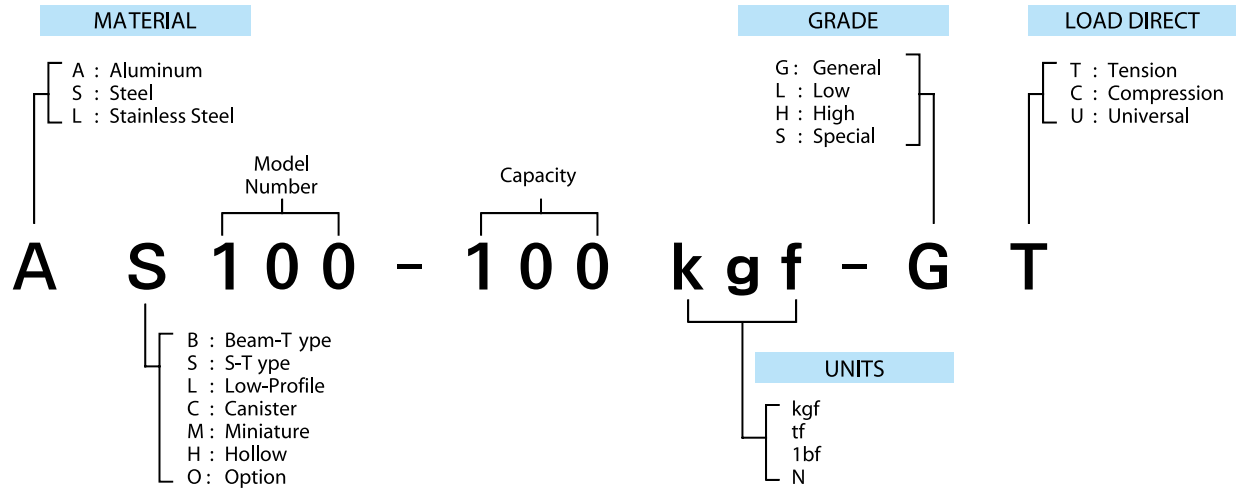
- Easy to Install & Set up
- Convenient for user
- Accurate to weigh & Peak
- Stable and Proven to Specialists

Composition

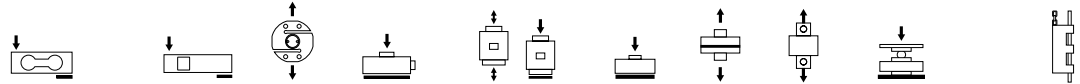
- SC400A + SA300E

Contents		SC 400A	SC 400F
ANALOG PART	Input sensitivity	Min. 0.1μV / Digit	
	Load cell excitation	DC +5V	
	Non Linearity	0.001% of Full Scale	
	Input Signal	Max ±3.0mV/V	
	A/D sampling	Max 120times / sec, Sigma-Delta	
	Resolution	Internal: 1/1,000,000 Display: 1/20,000	
DRIFT	ZERO	10PPM/°C	
	SPAN	10PPM/°C	
GENERAL PART	Power Supply	Free Voltage (AC95 ~ 240V, 50/60 Hz)	
	Operating Condition	Temperature: -10°C ~ +40°C, Humidity: Under 85% RH	
	Size / Weight	(W)162 x (H)170 x (D)122 mm / Gross 0.8kg	
	Serial interface	RS485(1EA), RS232C(3EA)	

LOAD CELL SELECTION GUIDE



LOAD CELL



MODEL	AB			LBB		SB	SS	SL	CLS/SLS	SC		SM		ST	SB		SBW	SWL	
	120	130	140	200	210	300	410			520	530	600E	601E	603E	800E	900	920		100
1kgf	•												•						
2kgf	•						•						•						
3kgf	•																		
5kgf	•						•						•						
10kgf	•						•						•						
15kgf	•												•						
20kgf	•			•			•						•						
30kgf	•	•											•						
50kgf	•	•		•			•					•	•	•					
60kgf		•																	
100kgf		•		•			•					•	•	•					
150kgf		•			•		•												
200kgf				•			•			•		•	•	•					
250kgf					•		•												
300kgf		•			•		•			•		•	•						
500kgf			•	•	•	•	•	•	•	•	•	•	•	•					•
1tf			•		•	•	•	•	•	•	•	•	•						
1.5tf																			•
2tf					•	•	•	•	•	•	•	•	•						
3tf					•	•	•	•	•	•	•								
4tf						•	•	•	•	•									•
5tf					•	•	•	•	•	•		•							
8tf						•	•	•	•	•									•
10tf					•	•	•	•	•	•		•		•	•				•
15tf							•	•	•						•		•		
20tf							•	•	•	•	•	•		•					
25tf															•	•			
30tf							•	•	•	•	•			•		•	•		•
50tf							•	•	•	•	•			•					
70tf																			
100tf							•	•	•	•	•								
200tf							•	•	•	•	•								
500tf											•								
800tf											•								

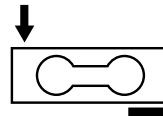
Single Point Load Cell 600gf~1tf

AB 120, 130, 140



Feature

- Material : Aluminium
- Protection Class IP65
- Off Center Compensated



Rated Capacity (R.C)	kg / tf	AB120C	AB120	AB130	AB140
		600gf, 1, 2, 3kgf	3, 5, 10, 15, 20, 30, 50kgf	30, 50, 60, 100, 150, 300kgf	500kgf, 1tf
Rated Output (R.O)	mV/V	1.0 ± 10%		2.0 ± 10%	
Zero Balance	mV/V			0 ± 0.1	
Combined Error	%			0.03	
Repeatability	%			0.01	
Creep (30min)	%			0.03	
Temperature Effect on					
Zero Value	% / °C	0.028		0.03	
Output Value	% / °C	0.014		0.02	
Excitation					
Recommended	V			10	
Maximum	V			15	
Resistance					
Input	Ω	400 ± 20		400 ± 30	
Output	Ω			350 ± 3.5	
Insulation	MΩ			> 2,000	
Compensated Temp Range	°C			-10 ~ +40	
Operating Temp Range	°C	-20 ~ +80		-30 ~ +80	
Physical Weight	kg		0.3	1.5	2.5

LOAD CELL

▶ Dimensions AB120C-600gf~3kgf

▶ Dimensions AB120-3~50kgf

▶ Dimensions AB130-30~300kgf

▶ Dimensions AB140-500kgf, 1tf

Unit : mm

STANDARD CABLE LENGTH	
AB120C, AB120	1.5M
AB130, AB140	2M

CABLE COLOR CODE	
EXC +	(RED)
EXC -	(WHITE)
SIG +	(GREEN)
SIG -	(BLUE, BLACK)
SHEILD	(YELLOW)

Shear Beam Load Cell 150kgf~10tf

SB 210

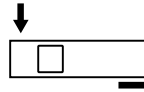


Feature

- Compact Design
- Compression Type
- Protection Class IP66
- Nickel Plated Steel
- Braided Shield 4-Wire Round Cable

Option

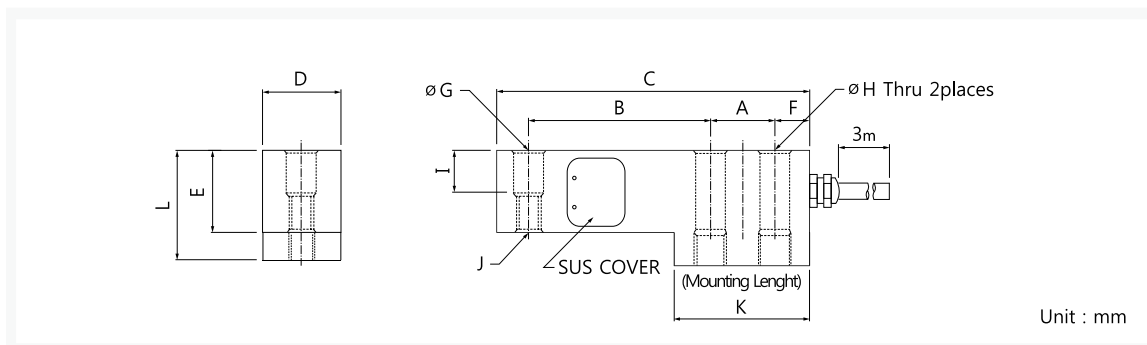
- Stainless Steel – LB210 (MOQ Base)



LOAD CELL

Rated Capacity (R.C)	kgf / tf	150, 200, 250, 500kgf, 1, 2, 3, 5, 10tf
Rated Output (R.O)	mV/V	2.0 ± 0.005
Zero Balance	mV/V	0 ± 0.02
Combined Error	%	0.03
Repeatability	%	0.01
Creep (30min)	%	0.03
Temperature Effect on		
Zero Value	% / 10°C	0.03
Output Value	% / 10°C	0.02
Excitation		
Recommended	V	10
Maximum	V	15
Resistance		
Input	Ω	400 ± 30
Output	Ω	350 ± 3.5
Insulation	MΩ	> 2,000
Compensated Temp Range	°C	-10 ~ +40
Operating Temp Range	°C	-30 ~ +80

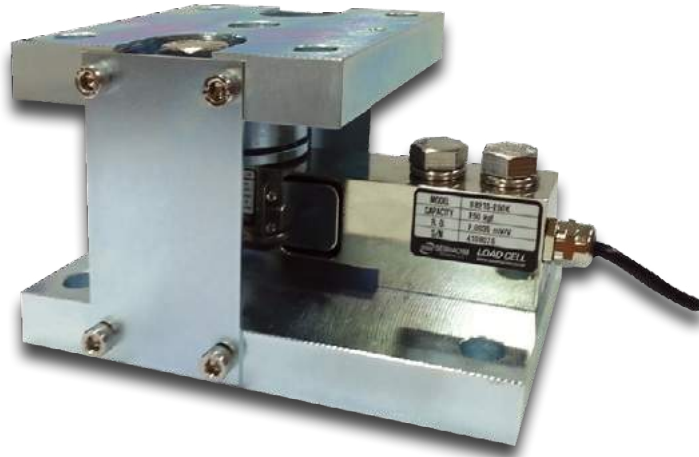
Model	Capacity	A	B	C	D	E	F	ØG	ØH	I	J	K	L	Weight
SB210 - 150kgf	150kgf	25.4	76.2	130	31.8	32	15.8	13.5	13.5	16	M12xP1.75	57	38	1.0kg
SB210 - 200kgf	200kgf													
SB210 - 250kgf	250kgf													
SB210 - 500kgf	500kgf													
SB210 - 1tf	1tf													
SB210 - 2tf	2tf	38.1	95.3	171.5	38	38	19	20	20	19	M18xP1.5	76	44.5	2.0kg
SB210 - 3tf	3tf													
SB210 - 5tf	5tf													
SB210 - 10tf	10tf	50.8	120.4	222	50.8	50.8	25.4	26.2	26.2	25.4	M24xP2.0	100	57.2	4.3kg



STANDARD CABLE LENGTH	
3M	
CABLE COLOR CODE	
EXC +	(RED)
EXC +	(WHITE)
SIG +	(GREEN)
SIG +	(BLUE, BLACK)
SHLD	(YELLOW)

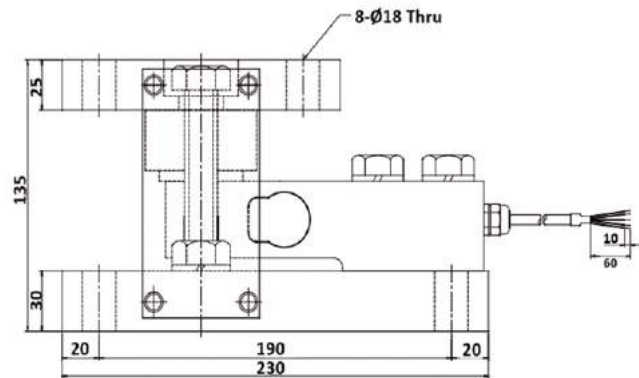
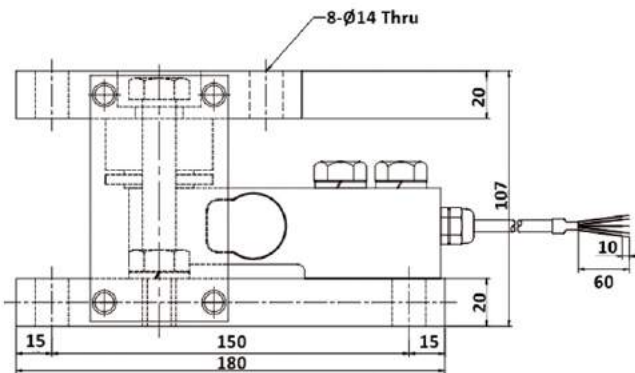
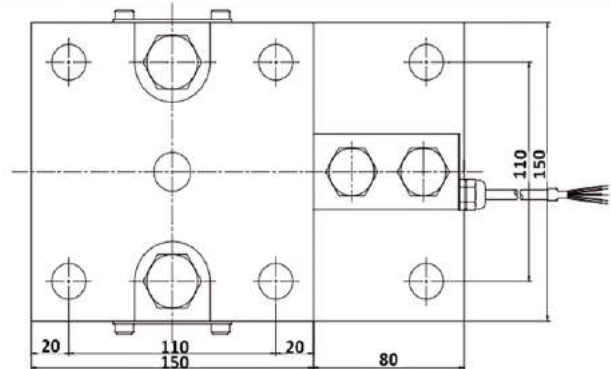
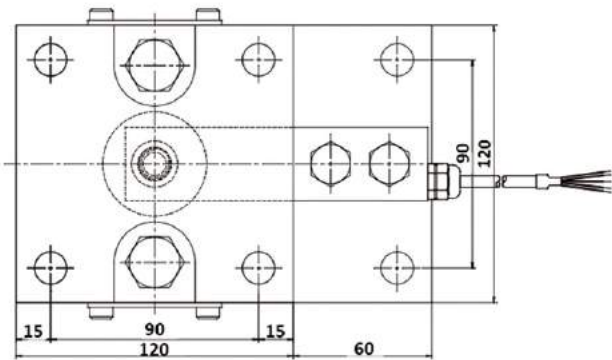
Shear Beam Load Cell 150kgf~10tf

SB 210 TW Accessory



150kg~3tf ▼

5tf ▼



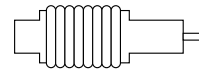
Bending Beam Load Cell 20~500kgf

LBB 200



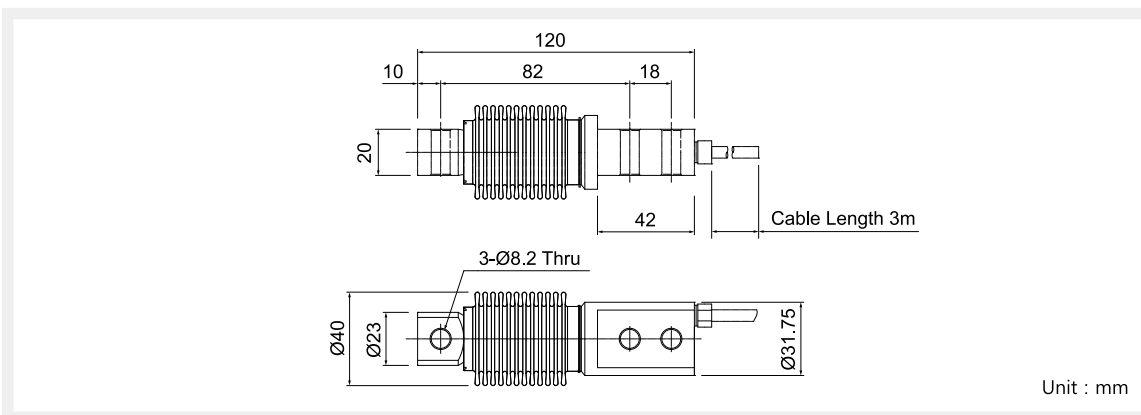
Feature

- All Stainless Steel Construction
- Protection Class IP67
- Braided Shield 4-Wire Round Cable



LOAD CELL

Rated Capacity (R.C)	kgf / tf	20, 50, 100, 200, 500kgf
Rated Output (R.O)	mV/V	2.0 ± 0.005
Zero Balance	mV/V	0 ± 0.2
Combined Error	%	0.03
Repeatability	%	0.01
Creep (30min)	%	0.03
Temperature Effect on		
Zero Value	% / 10°C	0.028
Output Value	% / 10°C	0.015
Excitation		
Recommended	V	10
Maximum	V	15
Resistance		
Input		400 ± 50
Output		350 ± 3.5
Insulation	M	>2,000
Compensated Temp Range	°C	-10 ~ +40
Operating Temp Range	°C	-20 ~ +70



STANDARD CABLE LENGTH
3M

CABLE	COLOR CODE
EXC +	(RED)
EXC -	(WHITE)
SIG +	(GREEN)
SIG -	(BLUE, BLACK)
SHLD	(YELLOW)

Unit : mm

SS Beam Load Cell 50kgf~10tf

SS 300

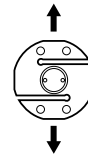


Feature

- Compact Design
- Tension Application
- Protection Class IP66
- Nickel Plated Steel
- Braided Shield 4-Wire Round Cable

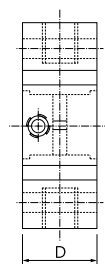
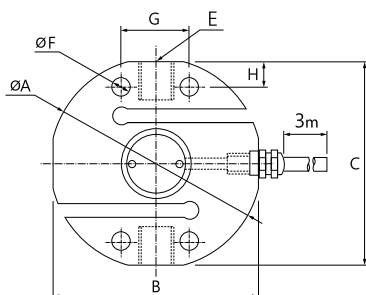
Option

- Stainless Steel – LS300 (MOQ Base)
- Aluminium 2, 5, 10, 20kg (MOQ Base)



Rated Capacity (R.C)	kgf / tf	50, 100, 150, 200, 300, 500kgf, 1, 2, 3, 5, 10tf
Rated Output (R.O)	mV/V	2.0 ± 0.005
Zero Balance	mV/V	0 ± 0.02
Combined Error	%	0.03
Repeatability	%	0.01
Creep (30min)	%	0.03
Temperature Effect on		
Zero Value	% / 10°C	0.03
Output Value	% / 10°C	0.02
Excitation		
Recommended	V	10
Maximum	V	15
Resistance		
Input	Ω	400 ± 30
Output	Ω	350 ± 3.5
Insulation	M Ω	>2,000
Compensated Temp Range	°C	-10 ~ +40
Operating Temp Range	°C	-30 ~ +80

Model	Capacity	ØA	B	C	D	E	ØF	G	H	Weight
SS300 - 50/100kgf	50/100kgf	80	74	76	19	M12xP1.75	-	-	-	1.0kg
SS300 - 150kgf	150kgf				26					
SS300 - 200kgf	200kgf									
SS300 - 300kgf	300kgf									
SS300 - 500kgf	500kgf									
SS300 - 1tf	1tf				M18xP1.5					
SS300 - 2tf	2tf									
SS300 - 3tf	3tf	115	90	110	30	M20xP1.5	13	42	18	1.8kg
SS300 - 5tf	5tf	125	123	120	36	M24xP2.0				2.7kg
SS300 - 10tf	10tf	175	172	168	50	M30xP2.0				21



Unit : mm

STANDARD CABLE LENGTH

3M

CABLE COLOR CODE

- EXC + (RED)
- EXC - (WHITE)
- SIG + (GREEN)
- SIG - (BLUE, BLACK)
- SHLD (YELLOW)

LOAD CELL

Pan Cake Load Cell 1~200tf

SL 410

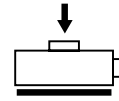


Feature

- Compression / Tension Application
- Hermetically Sealed
- High Reliability Against Fatigue & Force
- Fully Environmental Protection IP67
- Paint Finished Steel
- Braided Shield 4-Wire Round Cable with PVC-Jacket

Option

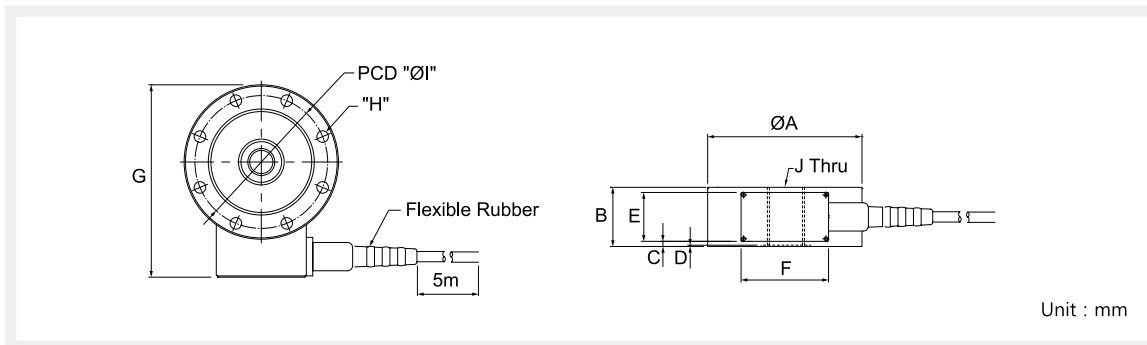
- Stainless Steel – LL410 (MOQ Base)



LOAD CELL

Rated Capacity (R.C)	tf	1, 2, 3, 5, 10, 15, 20, 30, 50, 100, 200tf	
Rated Output (R.O)	mV/V	2.0 ± 0.005	
Zero Balance	mV/V	0 ± 0.02	
Accuracy Class		A	B
Combined Error	%	0.02	0.05
Repeatability	%	0.01	0.02
Creep (30min)	%	0.03	0.03
Temperature Effect on			
Zero Value	% / 10°C	0.03	0.03
Output Value	% / 10°C	0.03	0.03
Excitation			
Recommended	V	10	
Maximum	V	15	
Resistance			
Input	Ω	350 ± 3.5	
Output	Ω	350 ± 3.5	
Insulation	MΩ	>2,000@ DC 50V	
Compensated Temp Range	°C	-10 ~ +40	
Operating Temp Range	°C	-20 ~ +80	

Model	Capacity	ØA	B	C	D	E	F	G	ØH	ØI	J	Weight
SL410 - 1tf	1tf	112	46	4	1	38	68	139.5	8-Ø6.6	97.2	M16xP2.0	1.8kg
SL410 - 2tf	2tf											2.3kg
SL410 - 3tf	3tf											2.8kg
SL410 - 5tf	5tf	120	46	4				149.5	8-Ø9	103.2	M18xP1.5	3.2kg
SL410 - 10/15tf	10tf	138	60	11				167.5	8-Ø11	117.6	M24xP2.0	5.1kg
SL410 - 20/30tf	20/30tf	184	80	21				213.5	8-Ø14	157.6	M39xP2.0	12.0kg
SL410 - 50tf	50tf	200	60	11				229.5	12-Ø14.3	170	M45xP3.0	15.0kg
SL410 - 100tf	100tf	278	90	26				307.5	16-Ø16.3	229	M70xP3.0	28.0kg
SL410 - 200tf	200tf	355	108	35				384.5	12-Ø26	298	M90xP3.0	37.0kg



STANDARD CABLE LENGTH

5M

CABLE	COLOR	CODE
EXC +	(RED)	
EXC +	(WHITE)	
SIG +	(GREEN)	
SIG +	(BLUE, BLACK)	
SHLD	(YELLOW)	

Explosion Proof Pan Cake Load Cell 1~30tf

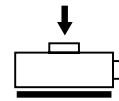
CLS / SLS (Explosion Proof : Ex d IIB T6)



Feature

- Compression / Tension Application
- Hermetically Sealed
- High Reliability Against Fatigue & Force
- Fully Environmental Protection IP67
- Paint Finished Steel (CLS)
- Braided Shield 4-Wire Round Cable with PVC-Jacket
- Stainless Steel – LL410 (SLS)

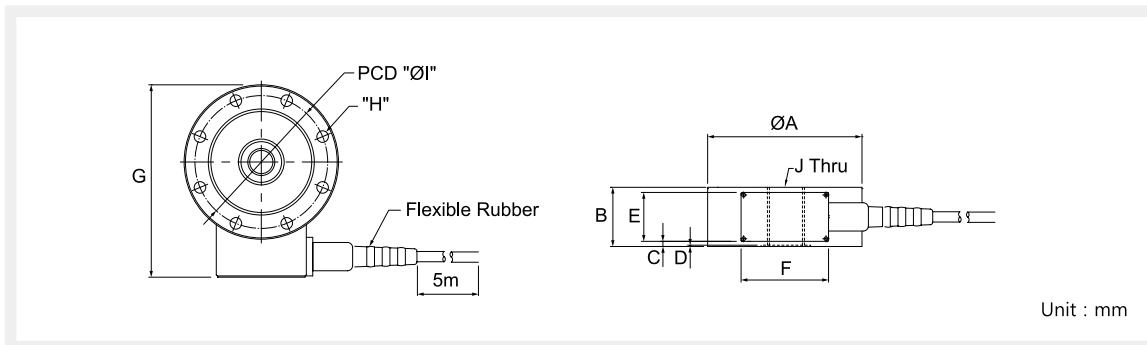
Option



Rated Capacity (R.C)	tf	1, 2, 3, 5, 10, 15, 20, 30	
Rated Output (R.O)	mV/V	2.0 ± 0.005	
Zero Balance	mV/V	0 ± 0.02	
Accuracy Class		A	B
Combined Error	%	0.02	0.05
Repeatability	%	0.01	0.02
Creep (30min)	%	0.03	0.03
Temperature Effect on			
Zero Value	% / 10°C	0.03	0.03
Output Value	% / 10°C	0.03	0.03
Excitation			
Recommended	V	10	
Maximum	V	15	
Resistance			
Input	Ω	350 ± 3.5	
Output	Ω	350 ± 3.5	
Insulation	MΩ	>2,000@ DC 50V	
Compensated Temp Range	°C	-10 ~ +40	
Operating Temp Range	°C	-20 ~ +80	

Model	Capacity	ØA	B	C	D	E	F	G	ØH	ØI	J	Weight				
SL410 - 1tf	1tf	112	46	4	1	38	68	139.5	8-Ø6.6	97.2	M16xP2.0	1.8kg				
SL410 - 2tf	2tf											2.3kg				
SL410 - 3tf	3tf											2.8kg				
SL410 - 5tf	5tf	120	46	4	1	38	68	149.5	8-Ø9	103.2	M18xP1.5	3.2kg				
SL410 - 10/15tf	10tf	138	60	11								167.5	8-Ø11	117.6	M24xP2.0	5.1kg
SL410 - 20/30tf	20/30tf	184	80	21								213.5	8-Ø14	157.6	M39xP2.0	12.0kg

LOAD CELL

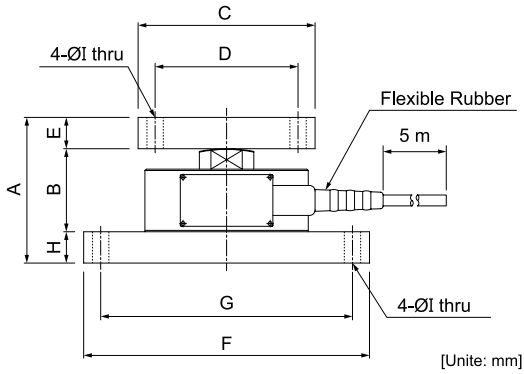


STANDARD CABLE LENGTH	
5M	
CABLE COLOR CODE	
EXC +	(RED)
EXC +	(WHITE)
SIG +	(GREEN)
SIG +	(BLUE, BLACK)
SHLD	(YELLOW)

Pan Cake Load Cell 1~200tf

SL410 Compression Accessory (Load Button / Balltype)

▶ INSTALLATION AS COMPRESSION APPLICATION

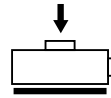


Accessory Features

- High Durability Appropriate for Tank and Hopper Application Design with Safety Coefficient Considerations.

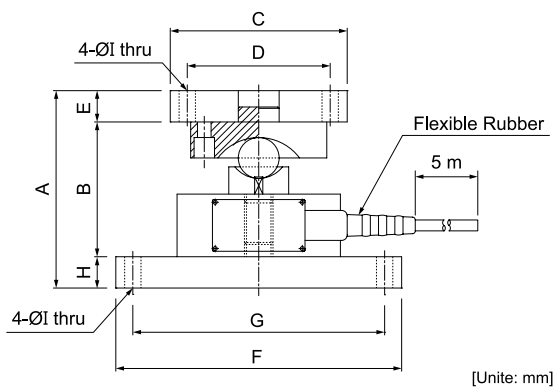
Manual

- Load cell connection with the Mounting Plate Fix the Mounting Plate on the Surface Check the level of the Mounting Plate Place the Loading Plate over the Load cell Check the value with a Display System.



Capacity	A	B	C	D	E	F	G	H	I
1tf, 2tf, 3tf	105	59	130x130	105x105	23	210x130	185x105	23	12
5tf	107	61	130x130	105x105	23	210x130	185x105	23	12
10tf	140	80	160x160	125x125	30	160x160	125x125	30	14
20tf, 30tf	175	115	200x200	150x150	30	200x200	160x160	30	14
50tf	225	105	260x260	200x200	60	260x260	200x200	60	23
100tf	275	155	360x360	280x280	30	360x360	280x280	60	27

▶ INSTALLATION AS BALL TYPE APPLICATION

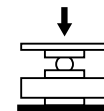


Accessory Features

- High Durability Appropriate for Tank and Hopper Application Design with Safety Coefficient Considerations.

Manual

- Load cell connection with the Mounting Plate Fix the Mounting Plate on the Surface Check the level of the Mounting Plate Place the Loading Plate over the Load cell Check the value with a Display System.



Capacity	A	B	C	D	E	F	G	H	I
1tf, 2tf, 3tf	136	90	130x130	105x105	23	210x130	185x105	23	12
5tf	145	99			23	210x130	185x105	23	12
10tf	166	106			30	160x160	125x125	30	14
20tf, 30tf	196	136			30	200x200	160x160	30	14

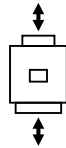
Canister Load Cell 200kgf~20tf

SC 520



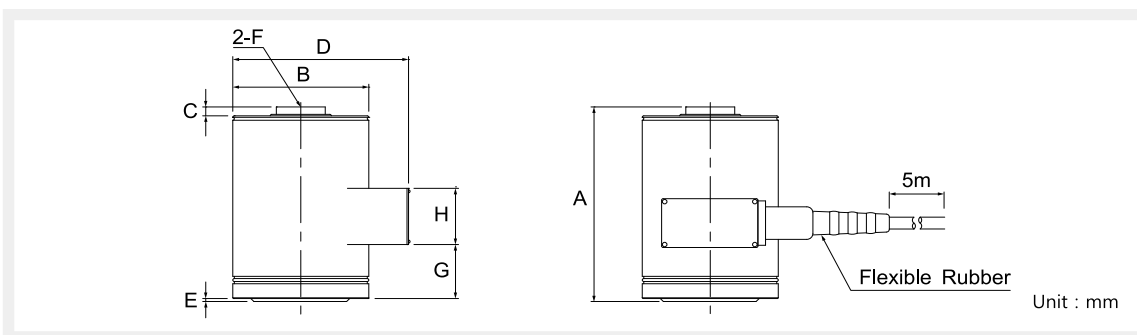
Feature

- Hermetically Sealed High Accuracy C
- Robust Design
- Compression / Tension Type
- Fully Environmental Protection IP67
- Paint Finished Steel
- Braided Shield 4-Wire Round Cable with PVC-Jacket



Rated Capacity (R.C)	kgf / tf	200, 300, 500kgf, 1, 2, 3, 5, 10, 20tf	
Rated Output (R.O)	mV/V	3.0 ± 0.003	
Zero Balance	mV/V	0 ± 0.02	
Accuracy Class		A	B
Combined Error	%	0.02	0.05
Repeatability	%	0.01	0.02
Creep (30min)	%	0.03	0.03
Temperature Effect on			
Zero Value	% / 10°C	0.03	0.03
Output Value	% / 10°C	0.03	0.03
Excitation			
Recommended	V	10	
Maximum	V	15	
Resistance			
Input	Ω	350 ± 3.5	
Output	Ω	350 ± 3.5	
Insulation	MΩ	> 2,000@ DC 50V	
Compensated Temp Range	°C	-10 ~ +40	
Operating Temp Range	°C	-30 ~ +80	

Model	Capacity	A	ØB	C	D	E	F	G	H	Weight
SC520 - 200kgf	200kgf	115	89	6	115	2	M12xP1.25	34	38	4.0kg
SC520 - 300kgf	300kgf									
SC520 - 500kgf	500kgf									
SC520 - 1tf	1tf	148	89	9	115	2	M24xP2.0	55	38	5.0kg
SC520 - 2tf	2tf									
SC520 - 3tf	3tf									
SC520 - 5tf	5tf	215	127	12	152	2	M39xP2.0	75	38	8.0kg
SC520 - 10tf	10tf									
SC520 - 20tf	20tf									



STANDARD CABLE LENGTH

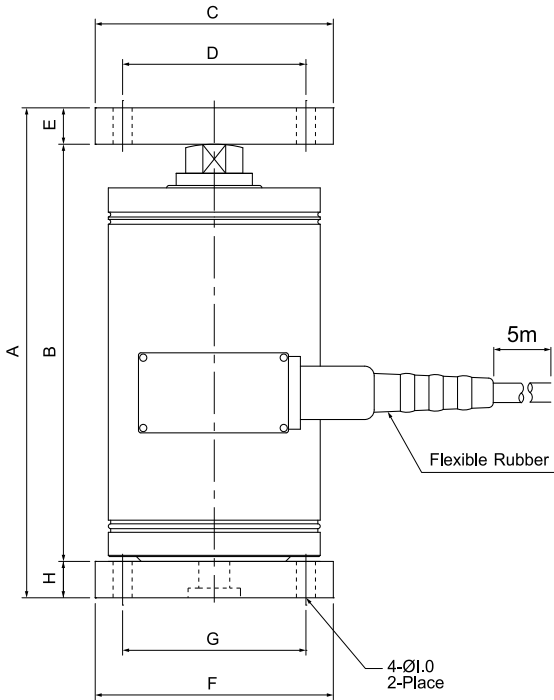
5M

CABLE	COLOR CODE
EXC +	(RED)
EXC -	(WHITE)
SIG +	(GREEN)
SIG -	(BLUE, BLACK)
SHLD	(YELLOW)

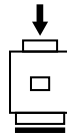
Canister Load Cell 200kgf~20tf

SC 520 Compression / Tension Accessory

LOAD CELL

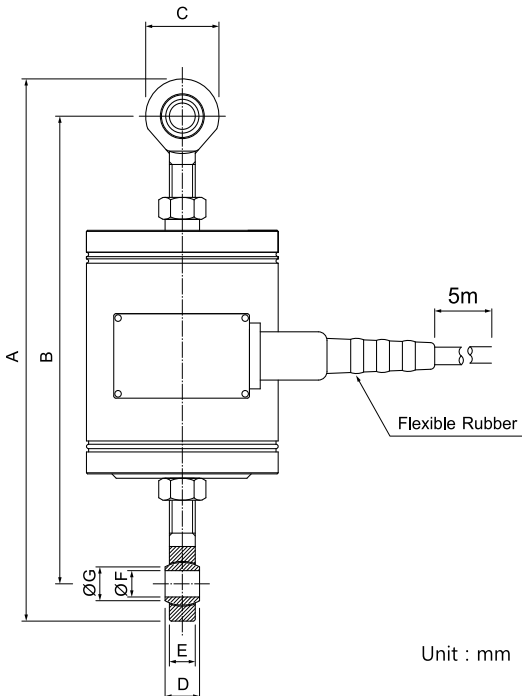


Unit : mm

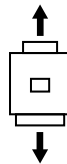


► Installation as Compression Application

Capacity	A	B	C	D	E	F	G	H	I
200kgf	153.7	123.7	100	77	15	100	77	15	8
300kgf									
500kgf									
1tf	210.3	164.3	130	105	23	130	105	23	12
2tf									
3tf									
5tf	303	243	160	125	30	160	125	30	14
10tf									
20tf									



Unit : mm



► Installation as Tension Application

Capacity	A	B	C	D	E	F	G
200kgf	255 ~ 260	221 ~ 216	34	16	12	12	15.4
300kgf							
500kgf							
1tf	525 ~ 530	423 ~ 428	102	28	27	22	25.8
2tf							
3tf							
5tf	680 ~ 685	545 ~ 550	135	40	38	39.0	45.0
10tf							
20tf							

Rod End (200kgf ~1tf: M12 x P1.25)

Rod End (2tf ~5tf: M24 x P2.0)

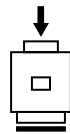
Canister Type Compression Load Cell 20~800tf

SC 530



Feature

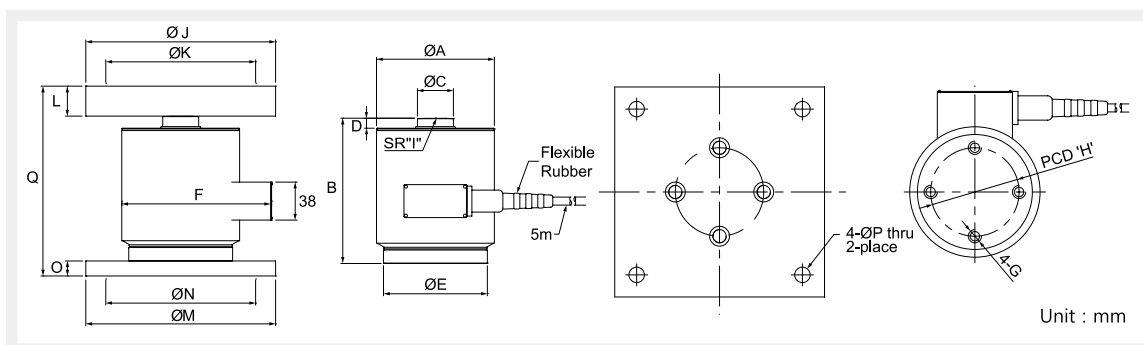
- Hermetically Sealed High Accuracy Grade
- Robust Design
- Compression Type
- Fully Environmental Protection IP67
- Paint Finished Steel
- Braided Shield 4-Wire Round Cable with PVC-Jacke



Rated Capacity (R.C)	tf	20, 30, 50, 100, 200, 500, 800tf
Rated Output (R.O)	mV/V	2.0 ± 0.005
Zero Balance	mV/V	0 ± 0.03
Accuracy Class		
Combined Error	%	0.15
Repeatability	%	0.10
Creep (30min)	%	0.03
Temperature Effect on		
Zero Value	% / 10°C	0.03
Output Value	% / 10°C	0.03
Excitation		
Recommended	V	10
Maximum	V	15
Resistance		
Input	Ω	350 ± 3.5
Output	Ω	350 ± 3.5
Insulation	MΩ	> 2,000@ DC 50V
Compensated Temp Range	°C	-10 ~ +40
Operating Temp Range	°C	-20 ~ +80

Model	Capacity	ØA	B	ØC	D	E	F	G	H	I	ØJ	ØK	L	M	N	O	P	Q	Weight
SC530 - 20tf	20tf	118	145	36	10	104	150	M12xP1.75	80	150	200	150	30	200	150	15	14	190	7.5kg
SC530 - 30tf	30tf	118	145	36	10	104	150	M12xP1.75	80	150	200	150	30	200	150	15	14	190	7.5kg
SC530 - 50tf	50tf	118	160	50	20	104	170	M12xP1.75	80	200	220	160	40	220	160	20	19	220	10.0kg
SC530 - 100tf	100tf	158	190	70	20	144	190	M16xP2.0	100	200	260	200	60	260	200	30	23	280	13.0kg
SC530 - 200tf	200tf	214	230	95	30	188	249	M16xP2.0	130	300	280	200	80	280	200	40	27	350	13.0kg
★ SC530 - 500tf	500tf	214	280	140	30	188	249	M16xP2.0	130	800									
★ SC530 - 800tf	800tf	260	360	180	30	228	295	M20xP2.5	160	720									

★ Special Order



STANDARD CABLE LENGTH

5M

CABLE	COLOR CODE
EXC +	(RED)
EXC -	(WHITE)
SIG +	(GREEN)
SIG -	(BLUE, BLACK)
SHLD	(YELLOW)

LOAD CELL

Load Cell for Wirerope 500kgf ~ 10tf

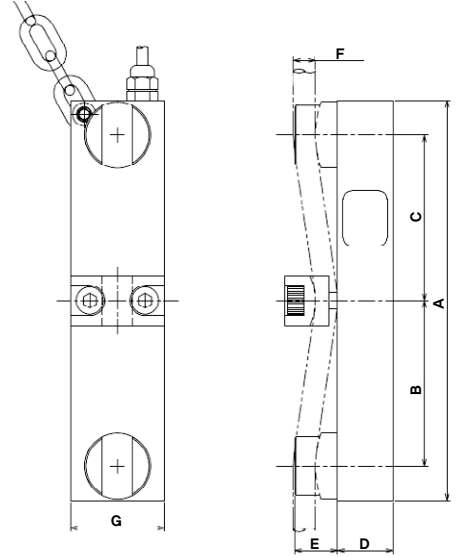
SWL100



Feature

- Tension of Wirerope
- Nickel Plated Steel

Safety Chain



STANDARD CABLE LENGTH	
10M	
CABLE	COLOR CODE
EXC +	(RED)
EXC -	(WHITE)
SIG +	(GREEN)
SIG -	(BLUE, BLACK)
SHEILD	(YELLOW)

LOAD CELL

Capacity	tf	500kgf, 1.5tf, 4tf, 8tf, 10tf
Rated Output	mV/V	1.0 Nominal
Zero Balance	mV/V	0.0± 0.1
Combined Error	%	2.0
Repeatability	%	1.0
Creep (30min)	%	1.0
Temperature Effect on		
Zero Value	% / °C	0.1
Output Value	% / °C	0.2
Excitation		
Recommended	V	10
Maximum	V	15
Resistance		
Input	Ω	400 ± 50
Output	Ω	350 ± 3.5
Insulation	MΩ	> 2,000 @50V DC
Compensated Temp Range	°C	-10 ~ +40
Operating Temp Range	°C	-20 ~ +80

Model	Capacity	A	B	C	D	E	F(Wire rope)	G
SWL100-500kgf	500kgf	145	60	60	20	15.5	Ø6~8	34
SWL100-1tf	1tf							
SWL100-1.5tf	1.5tf	167	70	70	22	21	Ø10~Ø 4	42
SWL100-4tf	4tf	215	90	90	25	35	18~Ø 28	62
SWL100-8tf	8tf	250	100	100	35	45	25~35,5	80
SWL100-10tf	10tf							

Miniature Load Cell 50kgf~20tf

SM 600E



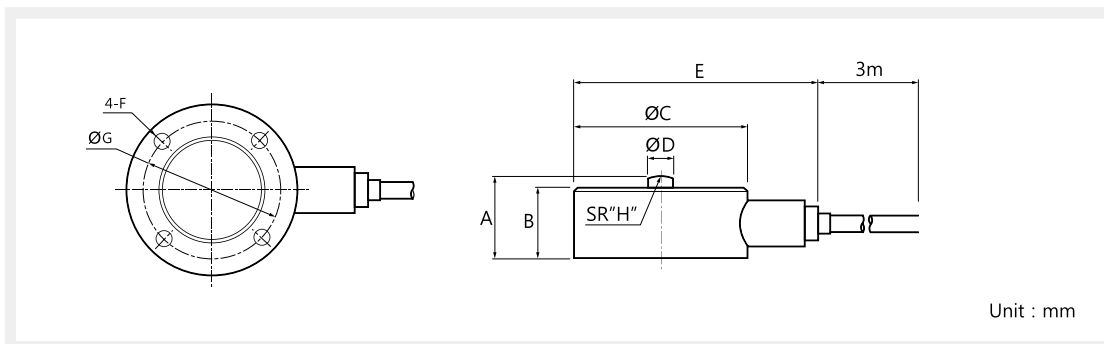
Feature

- Compression Application
- Application for Limited space
- Protection Class IP67
- Braided shield 4-wire round cable with PVC-Jacket
- Stainless steel (50kgf-2tf)
- Paint finished steel (5kgf-2tf)



Rated Capacity (R.C)	kgf / tf	50, 100, 200, 500kgf, 1, 2, 5, 10, 20tf
Rated Output (R.O)	mV/V	2.0 ± 0.02
Zero Balance	mV/V	0.0 ± 0.1
Combined Error	%	0.15
Repeatability	%	0.05
Creep (30min)	%	0.03
Temperature Effect on		
Zero Value	% / 10°C	0.05
Output Value	% / 10°C	0.10
Excitation		
Recommended	V	10
Maximum	V	15
Resistance		
Input	Ω	420 ± 50
Output	Ω	350 ± 3.5
Insulation	MΩ	> 2,000@50V DC
Compensated Temp Range	°C	-10 ~ +40
Operating Temp Range	°C	-20 ~ +80

Model	Capacity	A	B	C	D	E	F	G	H
SM600E-50kgf	50kgf	25	21	50	10	65	M5x0.8	42	50
SM600E-100kgf	100kgf								
SM600E-200kgf	200kgf								
SM600E-500kgf	500kgf								
SM600E-1tf	1tf								
SM600E-2tf	2tf	40	35	98	20	113	M6x1.0	72	150
SM600E-5tf	5tf								
SM600E-10tf	10tf								
SM600E-20tf	20tf								
		50	45	118	20	132	M8x1.25	90	250



STANDARD CABLE LENGTH	
3M	
CABLE COLOR CODE	
EXC +	(RED)
EXC -	(WHITE)
SIG +	(GREEN)
SIG -	(BLUE, BLACK)
SHEILD	(YELLOW)

LOAD CELL

Miniature Load Cell 10kgf~2tf

SM 601E



Feature

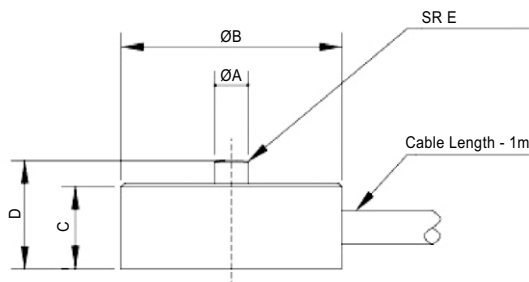
- Compression Application
- Application for Limited space
- Protection Class IP66
- Braided shield 4-wire round cable with PVC-Jacket
- Anodized Aluminum (1kgf~10kgf)
- Stainless steel (20kgf~2tf)



LOAD CELL

Max. Capacity	kgf / tf	1, 2, 5 kgf	10, 20, 30, 50, 100, 200, 300, 500kgf, 1tf, 2tf
Rated Output (R.O)	mV/V	0.5 (Approx)	1.0 (Approx)
Zero Balance	mV/V		0.0 ± 0.1
Combined Error	%		2.0
Repeatability	%		1.0
Creep (30min)	%		1.0
Temperature Effect on			
Zero Value	% / 10°C		0.03
Output Value	% / 10°C		0.05
Excitation			
Recommended	V		5
Maximum	V		10
Resistance			
Input	Ω		350 ± 20
Output	Ω		350 ± 3.5
Insulation	MΩ		> 2,000@50V DC
Compensated Temp Range	°C		-10 ~ +40
Operating Temp Range	°C		-20 ~ +80

Model	Capacity	A	B	C	D	E
SM601E-1kgf	1kgf	3	20	7.5	9.5	30
SM601E-2kgf	2kgf					
SM601E-5kgf	5kgf					
SM601E-10kgf	10kgf					
SM601E-20kgf	20kgf					
SM601E-30kgf	30kgf					
SM601E-50kgf	50kgf	4	20	13.3	14	30
SM601E-100kgf	100kgf					
SM601E-200kgf	200kgf					
SM601E-300kgf	300kgf					
SM601E-500kgf	500kgf					
SM601E-1tf	1tf					
SM601E-2tf	2tf					



STANDARD CABLE LENGTH

1M

CABLE	COLOR CODE
EXC +	(RED)
EXC -	(WHITE)
SIG +	(GREEN)
SIG -	(BLUE, BLACK)
SHEILD	(YELLOW)

Miniature Load Cell 50~500kgf

SM 603E



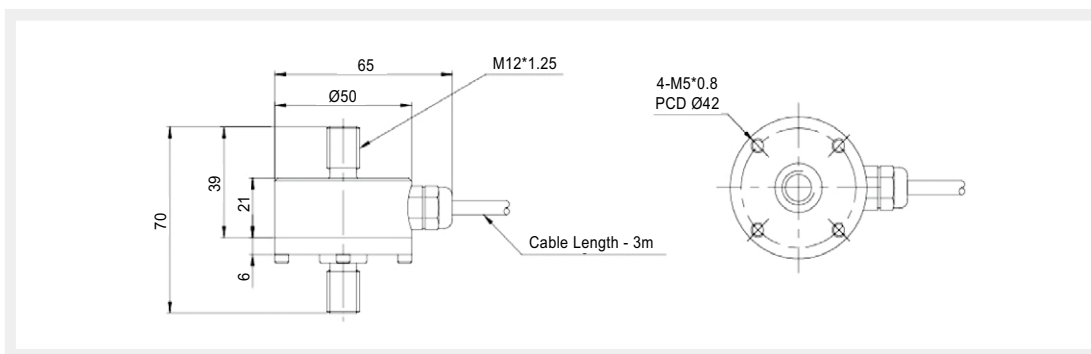
Feature

- Stainless Steel
- Tension Application
- Application for Limited Space
- Protection Class IP67
- Braided shield 4-wire round cable with PVC-Jacket
- Stainless steel
- Option : Tension Accessory



Max. Capacity	kgf	50, 100, 200, 500 kgf
Rated Output (R.O)	mV/V	2.0 ± 0.02
Zero Balance	mV/V	0.0 ± 0.1
Combined Error	%	0.15
Repeatability	%	0.05
Creep (30min)	%	0.03
Temperature Effect on		
Zero Value	% / 10°C	0.05
Output Value	% / 10°C	0.10
Excitation		
Recommended	V	10
Maximum	V	15
Resistance		
Input	Ω	420 ± 50
Output	Ω	350 ± 3.5
Insulation	MΩ	> 2,000@50V DC
Compensated Temp Range	°C	-10 ~ +40
Operating Temp Range	°C	-20 ~ +80

LOAD CELL



STANDARD CABLE LENGTH	
3M	
CABLE COLOR CODE	
EXC +	(RED)
EXC -	(WHITE)
SIG +	(GREEN)
SIG -	(BLUE, BLACK)
SHEILD	(YELLOW)

Tension Meter Load Cell 10~50tf

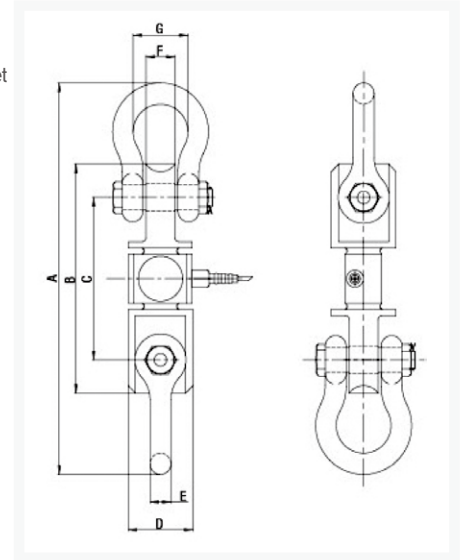
ST 800E



Feature

- Steel
- Tension Application
- Convent assembly of shackle and Loadcell
- Braided shield 4-wire round cable with PVC-Jacket
- Option : Shackle

DIMENSIONS



STANDARD CABLE LENGTH

10M

CABLE	COLOR CODE
EXC +	(RED)
EXC -	(WHITE)
SIG +	(GREEN)
SIG -	(BLUE, BLACK)
SHEILD	(YELLOW)



LOAD CELL

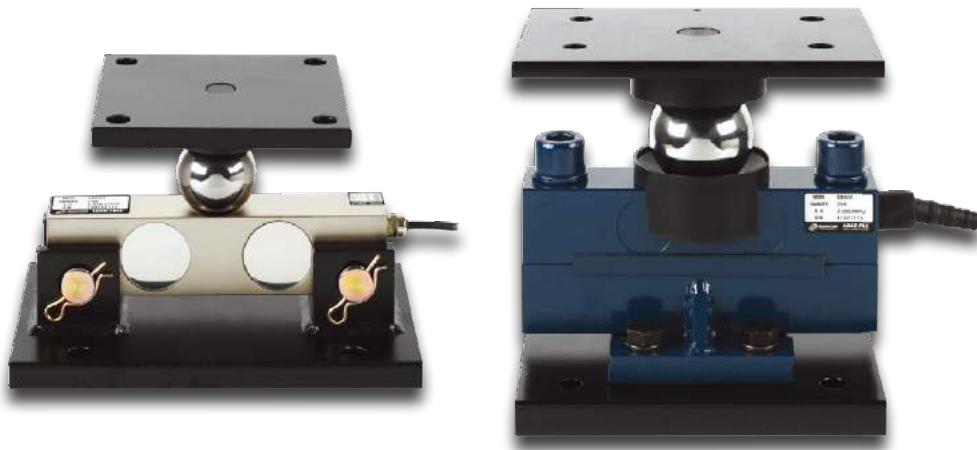
Rated Capacity (R.C)	kgf / tf	10, 20, 30, 50tf
Rated Output (R.O)	mV/V	2.0 Nominal
Zero Balance	mV/V	0 ± 0.2
Combined Error	%	0.03
Repeatability	%	0.02
Creep (30min)	%	0.03
Temperature Effect on		
Zero Value	% / 10°C	0.03
Output Value	% / 10°C	0.03
Excitation		
Recommended	V	10
Maximum	V	15
Resistance		
Input	Ω	760 ± 40
Output	Ω	700 ± 7
Insulation	MΩ	> 2,000
Compensated Temp Range	°C	-10 ~ +40
Operating Temp Range	°C	-20 ~ +80

Model	A	B	C	D	E	F	G	SHACKLE(option)
ST800E - 10tf	522	310	220	87	28	40	74	B.B(1-1/8")
ST800E - 20tf	796	400	285	120	45	70	127	B.B(1-3/4")
ST800E - 30tf	868	428	288	120	50	75	146	B.B(2")
ST800E - 50tf	1106	508	342	145	67	98	184	B.B(2-1/2")

*Special Order Made : 70tf~200tf

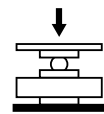
Truck Weighing Load Cell 10~30tf

SB 900



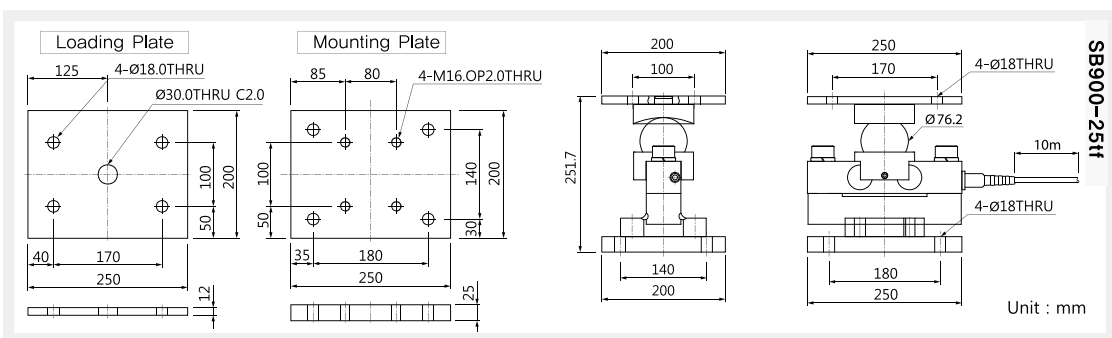
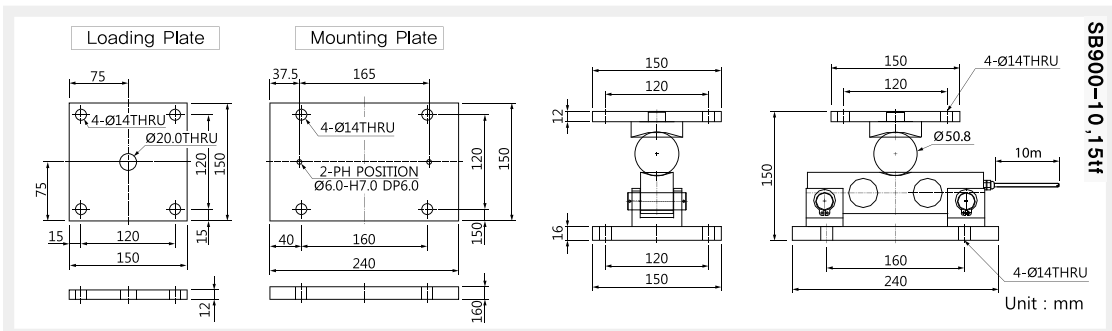
Feature

- Robust Design and Easy Installation
- Strong Against Shock or Side Force
- Protection Class IP67
- Paint Finished Steel
- Braided Shield 4-Wire Round Cable



Rated Capacity (R.C)	tf	10, 15tf	25tf, 30tf
Rated Output (R.O)	mV/V	2.0 ± 0.004	
Zero Balance	mV/V	0 ± 0.03	
Combined Error	%	0.03	
Repeatability	%	0.02	
Creep (30min)	%	0.03	
Temperature Effect on			
Zero Value	% / 10°C	0.03	
Output Value	% / 10°C	0.015	
Excitation			
Recommended	V	10	
Maximum	V	15	
Resistance			
Input	Ω	800 ± 50	
Output	Ω	700 ± 7	
Insulation	M Ω	>2,000	
Compensated Temp Range	°C	-10 ~ +40	
Operating Temp Range	°C	-20 ~ +80	
Physical Weight	kg	12.5	18.0

LOAD CELL



STANDARD CABLE LENGTH
10M

CABLE COLOR CODE

EXC +	(RED)
EXC -	(WHITE)
SIG +	(GREEN)
SIG -	(BLUE, BLACK)
SHEILD	(YELLOW)

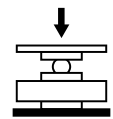
Truck and Tank Weight Load Cell 25~30tf

SB 920



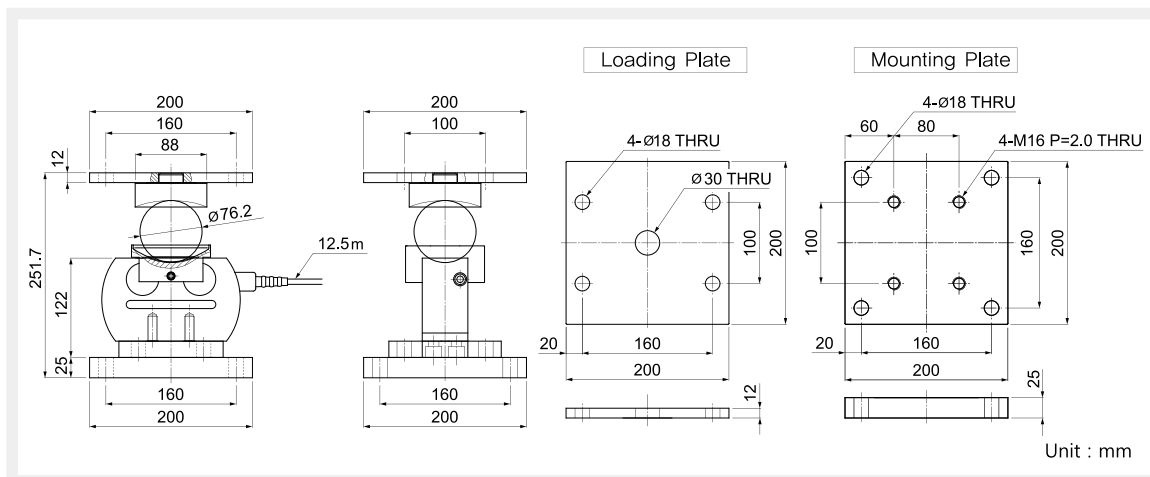
Feature

- Robust Design and Easy Installation
- Strong Against Shock or Side Force
- Protection Class IP67
- Suitable for Moisture Environment
- Paint Finished Steel
- Braided Shield 4-Wire Round Cable
- Special order : 50tf, 100tf



LOAD CELL

Rated Capacity (R.C)	tf	25tf
Rated Output (R.O)	mV/V	2.0 ± 0.004
Zero Balance	mV/V	0 ± 0.02
Combined Error	%	0.03
Repeatability	%	0.02
Creep (30min)	%	0.03
Temperature Effect on		
Zero Value	% / 10°C	0.03
Output Value	% / 10°C	0.015
Excitation		
Recommended	V	10
Maximum	V	5
Resistance		
Input	Ω	800 ± 40
Output	Ω	700 ± 7
Insulation	M Ω	>2,000
Compensated Temp Range	°C	-10 ~ +40
Operating Temp Range	°C	-20 ~ +80
Physical Weight	kg	21.0



STANDARD CABLE LENGTH
12.5M

CABLE	COLOR CODE
EXC +	(RED)
EXC -	(WHITE)
SIG +	(GREEN)
SIG -	(BLUE, BLACK)
SHEILD	(YELLOW)

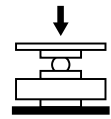
Truck and Tank Weight Load Cell 25~30tf

SBW



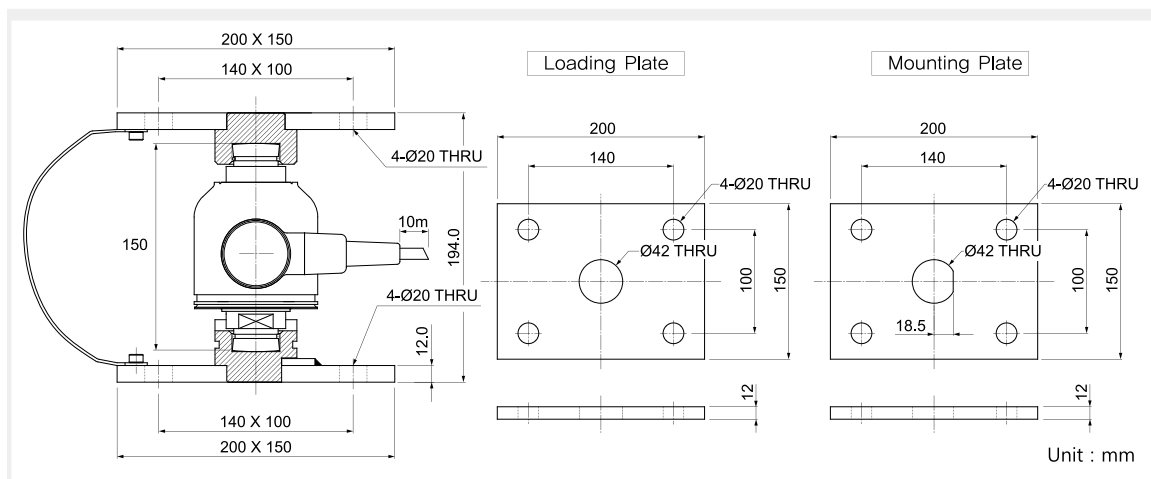
Feature

- Robust Design and Easy Installation
- Strong Against Shock or Side Force
- Protection Class IP68
- Suitable for Moisture Environment
- Paint Finished Steel
- Braided Shield 4-Wire Round Cable
- Special order : 50tf



Rated Capacity (R.C)	tf	25, 30tf
Rated Output (R.O)	mV/V	2.0 ± 0.006
Zero Balance	mV/V	0 ± 0.03
Combined Error	%	0.02
Repeatability	%	0.01
Creep (30min)	%	0.017
Temperature Effect on		
Zero Value	% / 10°C	0.03
Output Value	% / 10°C	0.03
Excitation		
Recommended	V	10
Maximum	V	15
Resistance		
Input	Ω	350 ± 3.5
Output	Ω	350 ± 3.5
Insulation	M Ω	> 2,000
Compensated Temp Range	°C	-10 ~ +40
Operating Temp Range	°C	-20 ~ +80
Physical Weight	kg	12.0

LOAD CELL



STANDARD CABLE LENGTH	
10M	
CABLE	COLOR CODE
EXC +	(RED)
EXC -	(WHITE)
SIG +	(GREEN)
SIG -	(BLUE, BLACK)
SHEILD	(YELLOW)

Load Cell Transmitter

ST SERIES



Feature

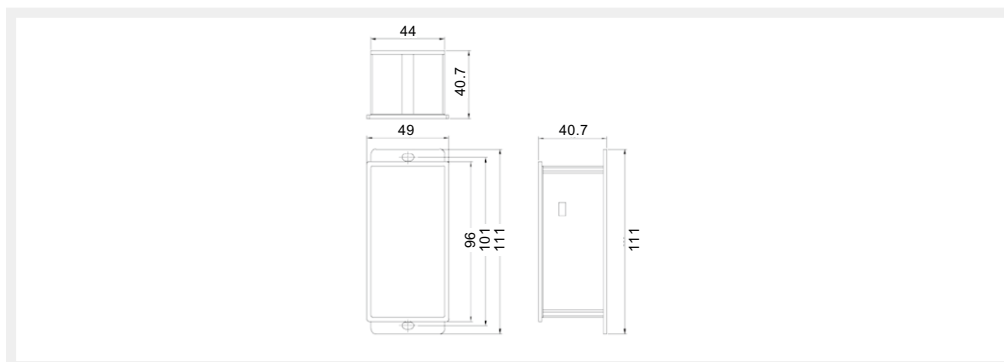
- The Transducer Amplifier of Strain Gauge (Load Cell, Pressure Sensor, Torque)
- Various Voltage, Current Output (0~10V, 0~40mA)
- Adjustable Sensor Input (0.5mV/V~4mV/V)
- Adjustable Filter Frequency (1Hz~5Hz)
- Light Weight, Easy to Mount

System Application

Long Distance Signal Transmission
 Various Controller Input Signal
 (PLC, Current Indicator A/D Board, X-T Recorder)

LOAD CELL

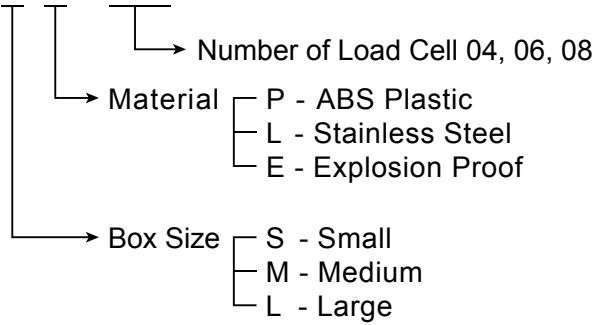
	Voltage Output Transmitter	Current Output Transmitter
MODEL	ST-V05, ST-V15, ST-V010	ST-I420, ST-I020, ST-I040
OUTPUT	0~5V, 1~5V, 0~10V	4~20mA, 0~20mA, 0~40mA
POWER (Constant Voltage)	+12/24V, +12/24V, +17~24V	+12/24V, +12/24V, +17~24V
Analogue Signal Input	1.2, 2.0, 3.0mV/V (0.5 ~ 4.0 mV/V DIP)	1.2, 2.0, 3.0mV/V (0.5 ~ 4.0 mV/V DIP)
Impedance Input	≤ 1010 Ω	≤ 1010 Ω
Transducer Affirmation Voltage	5V / 10 V Constant Voltage (Remote Sense type 5V / 10V)	5V / 10 V Constant Voltage (Remote Sense type 5V / 10V)
Zero Balance	±30% (R.O)	±30% (R.O)
Span Balance	±10% (R.O)	±10% (R.O)
Linearity Error Rate	0.02% (F.S)	0.025% (F.S)
Accuracy Rate	0.02% (F.S)	0.025% (F.S)
Temperature Range & Humidity	Within -25 ~ +85°C, 85% R.H	Within -25 ~ +85°C, 85% R.H
Load Resistance	Over 1.7 K.Ω	0~500.Ω



Load Cell Summing Box & Accessories

SUMMING BOX

SB - S P - XX



Feature

- Excitation Trimming
- Easy to Wire with Each Terminals
- 4~8 Load Cells Summing
- Protection Class IP67
- Polyimide Cable Gland
- Input Cable : $\varnothing 5 \sim \varnothing 8 \text{mm}$
- Output Cable : $\varnothing 5 \sim \varnothing 10 \text{mm}$
- Material : ABS Plastic / Stainless Steel Housing

	ABS Size	Loadcell Quantity
Small	130(L)x80(D)x35(H)	4EA
Medium	130(L)x130(D)x60(H)	4EA, 6EA
Large	180(L)x130(D)x60(H)	6EA, 8EA

Unit : mm

SB-SP-04



SB-MP-06



SB-LP-08



SB-ME-04 (Explosion proof)



SB-ML-04 (Stainless steel)



SB-ML-06 (Stainless steel)

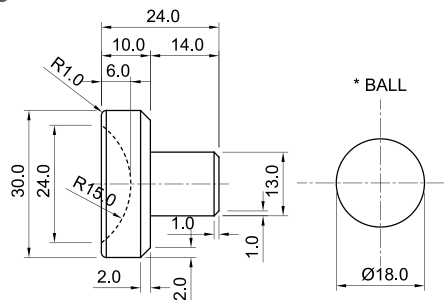


LOAD CELL

► Load cell Accessories



Ball & Ball Cup

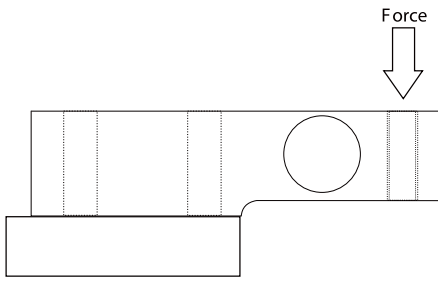


Foot

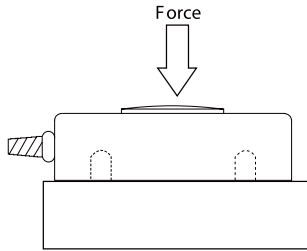


RodEndBearing

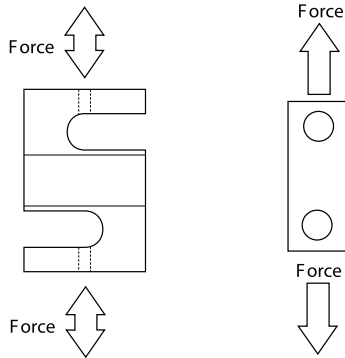
Load Cell Type



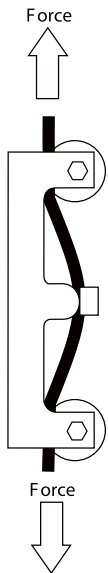
Shear beam - the shear beam load cell is fixed rigidly at one end with the force being applied to the other end. These can be used singly or in groups e.g. a plat form scale using one cell in each corner.
Double ended shear beam type cells are of different construction and are fixed rigidly at each end with the force being applied to the centre of the beam.
Single point load cells are of similar design but are intended for use in single cell applications only.



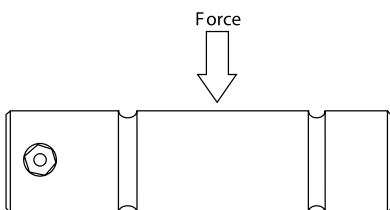
Compression - the compression load cell is designed to operate in compression only. Some designs require load to be applied at one end only, other designs can be compressed by force at both ends.



S type - the S type load cell can be used in tension and compression. The signal voltage output will reverse in polarity when the force changes from tension to compression i.e the display value may change from positive to negative or vice versa.
 Tension load cells and Load links are designed to operate under tension only.



Rope clamp - the rope clamp load cell is popular in hoist and crane applications due to it ease of installation. The rope passes through the cell and when tension is applied to the rope due to a weight being lifted the tension produces a bending force on the cell.
 The mounting position of this type of load cell is very important. Most of these type of cells are mounted at the dead end of the rope allowing enough rope at each end for flexing i.e. ensure that the attachment is not so close to the dead end that the rope is rigid and cannot flex.
 Since these cells are designed to operate over a very wide range of loads and rope sizes and because the rope system often goes through a series of "drops" it is often the case that the mV output from these cells is at the low end of the range. The sensitivity of the monitor may need to be increased by lowering the mV range to compensate.

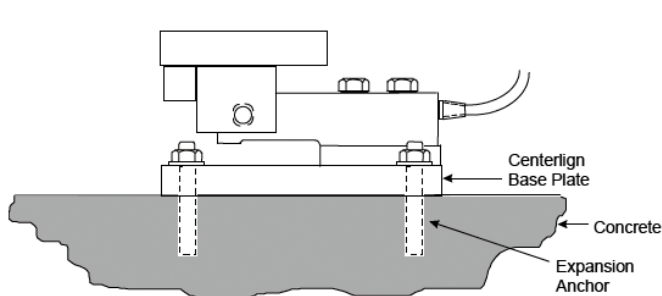


Load pin - load pin cells are designed to be installed in the axis of a sheave, shackle etc. through which force is applied. Most common load pins will measure force in one direction only. The direction of force is often marked with an arrow at one end of the pin or instructions for alignment may be given in the load cell certificate. If the load is off axis the output will be reduced. At 90 degrees off axis the output will not change with a change in load.

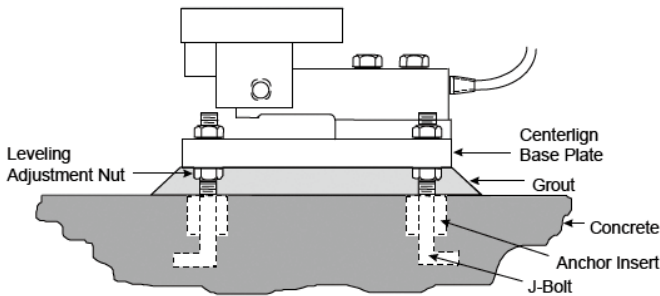
Load Cell Installation Guide

Load Cell Installation Guide

► Flexmount Weigh Modules Installation

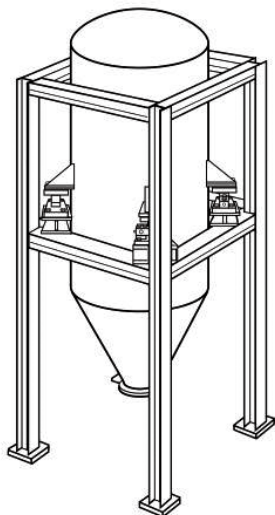


Base Plate Bolted to Level Concrete Floor

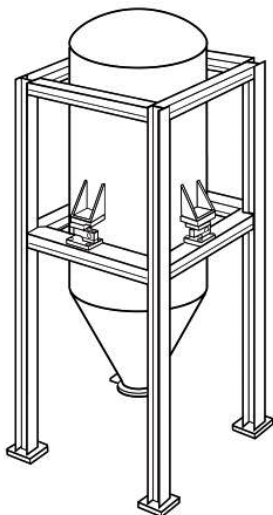


Base Plate Bolted to Unlevel Concrete Floor

► General Installation Guidelines Structural Beam Support

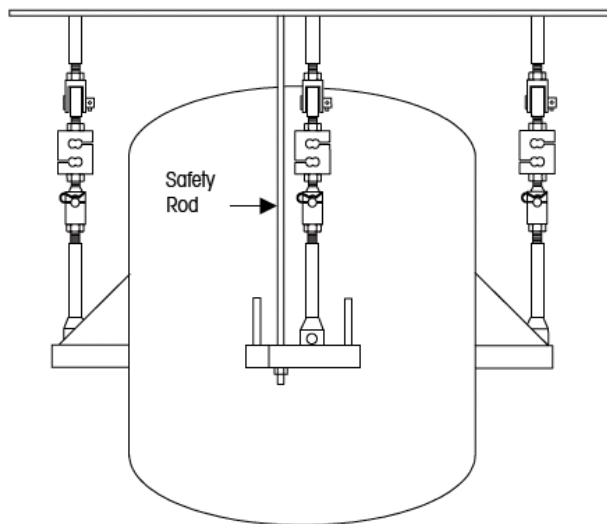


Recommended Figure

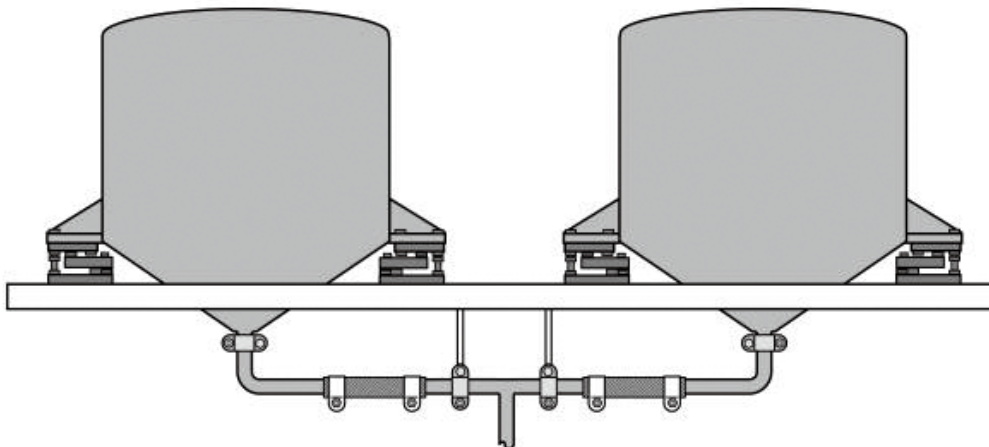


Not Recommended

► Tension Weigh Module Installation



► General Installation Guidelines Piping Design



Design for Single Discharge Pipe

Overseas Agent Information

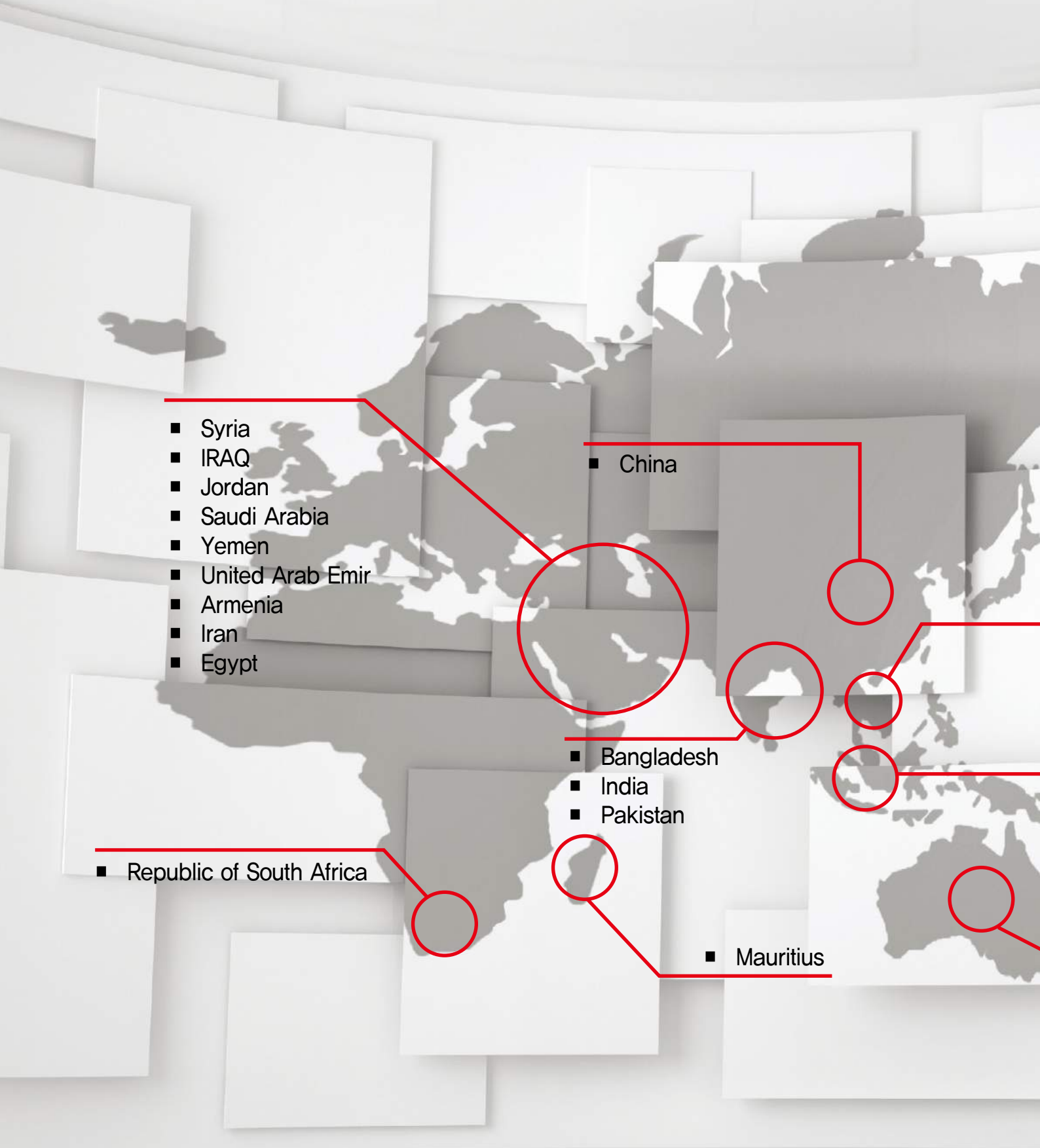
- Syria
- IRAQ
- Jordan
- Saudi Arabia
- Yemen
- United Arab Emir
- Armenia
- Iran
- Egypt

■ China

- Bangladesh
- India
- Pakistan

■ Republic of South Africa

■ Mauritius





- Vietnam
- Thailand

- Malaysia
- Indonesia
- Singapore

- Australia
- Newzealand

- Mexico
- Colombia



SEWHACNM
WEIGHING SOLUTION



2017-04



Total Solution For Industrial Weighing

#504, 302 Dong, 397, Seokchon-Ro, Ojeong-Gu, Bucheon-Si, Korea
TEL. 82-32-624-0060 / FAX. 82-32-624-0065
E-mail: sales@sewhacnm.co.kr, info@sewhacnm.co.kr
URL: <http://www.sewhacnm.co.kr>

021-88464139

09106611367

WWW.LSKALA.COM

