

Tension Meter Load Cell 10~50tf

ST800E

LOAD CELL

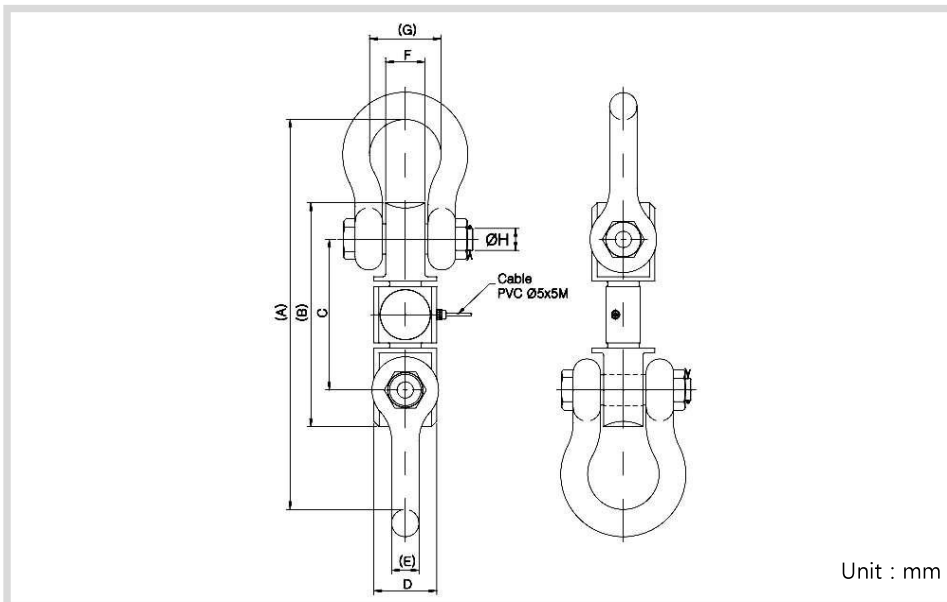


Feature

- Tension Application
- Convert assembly of shackle and Load cell
- Steel
- Option : Shackle



Rated Capacity (R.C)	Unit	10, 20, 30, 50tf
Rated Output (R.O)	mV/V	2.0 Nominal
Zero Balance	mV/V	0.0 ± 0.2
Combined Error	%	0.03
Repeatability	%	0.02
Creep (30min)	%	0.03
Temperature Effect on		
Zero Value	%/10°C	0.03
Output Value	%/10°C	0.03
Excitation		
Recommended	V	10
Maximum	V	15
Resistance		
Input	Ω	760 ± 40
Output	Ω	700 ± 7
Insulation	MΩ	>2,000@DC 50V
Compensated Temp Range	°C	-10 ~ +40
Operating Temp Range	°C	-20 ~ +80



STANDARD CABLE LENGTH	
5M	
CABLE COLOR CODE	
EXC +	(RED)
EXC -	(WHITE)
SIG +	(GREEN)
SIG -	(BLUE, BLACK)
SHLD	(YELLOW)

Capacity	A	B	C	D	E	F	G	Shackle(option)
10tf	493	310	220	87	32	40	83	B.B(1-1/4")
20tf	691	400	285	120	45	70	127	B.B(1-3/4")
30tf	739	428	288	120	50	75	146	B.B(2")
50tf	946	508	342	148	67	98	184	B.B(2-1/2")

※ 70tf~200tf Customized order