



Digital crane scale

Model: OCS-SX

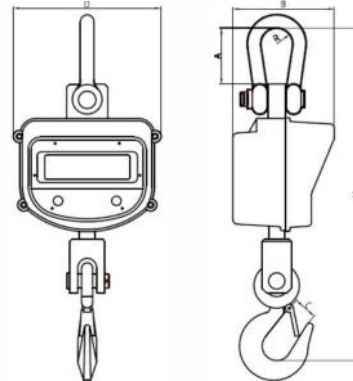


Features

- ◆ **Rotating hook:**
360° safe rotated hook, convenient to use.
- ◆ **Enclosure:**
NEMA 12/IP54 powder coated Foundry Cast Aluminum.
- ◆ **Multi-weighing units:**
Kg, lb are selectable, kg are default unit.
- ◆ **Multi-function operation:**
Tare, Zero, Auto zero tracking, Total, Hold, Overload warning and record, operated through infrared remote controller.
- ◆ **User-friendly design:**
Large red 5 digit LED display (digit height 30mm), Battery Operated with low battery indication, Automatic turn off , power-saving function.
- ◆ **Gravity regulation:**
The acceleration of gravity can be regulated through remote controller according to different places value.
- ◆ **Multi options:**
RS-232-continuous or on demand data output, user-selectable.
Wireless big screen 3" , 5" , wireless indicator 180, 280, 380, 580 can match with the scale, user-selectable.

Main technical data

Accuracy Standard	According to OIML class III
Display	30mm (1.2") 5digits LED
Filtering	Low,Medium or High selectable
Units	Kilograms or Pounds selectable
Resolution	2000 to 3000 divisions standard up to 15,000 available
Zero Range	4% F.S.
Tare Range	100% F.S.
Overload Indication	100% F.S. + 9e
Max. Safety Load	125% F.S.
Ultimate Load	400% F.S.
Battery Type	Fully sealed Lead-Acid battery, 6V/7Ah
Battery Life	≥70 hours
Adapter	DC 9V/1000mA
Operating Temperature Range	- 20 C ~ + 50 C
Operating Humidity	≤85% RH under 20 C
Remote Controller Distance	Max. 15m
Battery of Remote Controller	AAA battery, 1.5V x 2
Acceleration of Gravity	9.793, Can be regulated



Dimensions and Specifications

MODEL	Cap.(kg)	Resolution (kg)	A(mm)	B(mm)	C(mm)	D(mm)	H(mm)	R(mm)	N.W.(kg)
OCS-SX-1	1000	1	95	180	28	264	570	27	12
OCS-SX-2	2000	1	95	180	28	264	570	27	12
OCS-SX-3	3000	1	95	180	35	264	580	27	13
OCS-SX-5	5000	2	124	188	40	264	665	39	21
OCS-SX-10	10000	5	124	206	48	264	745	45	30