

Type BM14A Load Cell



Short description



- Stainless steel IP68 compression load cell
- Hermetically sealed
- Suitable for vehicle and hopper scales and vehicle testing facilities
- Built in surge arrestors
- Current calibrated (sc-option)

 test certificate no. D09-07.01

Available models

| Capacity | Accuracy | Full article description |
|----------|-----------------------|--------------------------|
| 10t | C3 | BM14A-C3-10t-10B-SC |
| 25t | C3 | BM14A-C3-25t-20B-SC |
| 40t | C3 | BM14A-C3-40t-20B-SC |
| 60t | C3 | BM14A-C3-60t-20B-SC |
| 100t | C3 | BM14A-C3-100t-20B-SC |
| 200t | C1 Excluded from OIML | BM14A-C1-200t-20B-SC |

Specifications and dimensions are subject to change without notice and do not constitute any liability whatsoever.

Zemic Europe B.V.
Leerlooierstraat 8
4871 EN Etten-Leur
The Netherlands

T: +31 76 50 39480
F: +31 76 50 39481
info@zemic.nl
www.zemic.nl

Nr. 2013.12 BM14A Rev3

1/4

Type BM14A Load Cell

Detailed specifications BM14A

| | | | | |
|--|-------------------------|--------------------|----------------------|----------------|
| Accuracy class | | OIML R60 C3 | | C1 |
| Output sensitivity (= FS) | mV/V | 2.0 ± 0.002 | | |
| Maximum capacity (E _{max}) | t | 10, 25, 40 | 60, 100 | 200 |
| Max.number of load cell intervals | n _{LC} | 3000 | | 1000 |
| Ratio of min. LC verification interval | $Y = E_{max} / v_{min}$ | 9000 | 15000 | 10000 |
| Combined Error | %FS | ≤± 0.023 | | ≤± 0.050 |
| Minimum dead load | Of E _{max} | 0% | | |
| Safe overload | of E _{max} | 150 % | | |
| Ultimate overload | of E _{max} | 300 % | | |
| Zero balance | of FS | < ± 1.0 % | | |
| Excitation, recommended voltage | V | 5 ~ 12 | | |
| Excitation maximum | V | 18 | | |
| Input resistance | Ω | 450 ± 5 | | |
| Output resistance | Ω | 480 ± 5 | | |
| Insulation resistance | MΩ | ≥5000 (at 50VDC) | | |
| Compensated temperature | °C | -10 ~ +40 | | |
| Operating temperature | °C | -35 ~ +65 | | |
| Storage temperature | °C | -40 ~ +70 | | |
| Element material | | Stainless steel | | |
| Ingress Protection (acc. to EN 60529) | | IP68 | | |
| Recommended torque on fixation | Nm | - | | |
| ATEX classification (optional) | | II1G Ex ia II1C T4 | II1D Ex iaD 20 T73°C | II3G nL IIC T4 |

Wiring

Wiring:

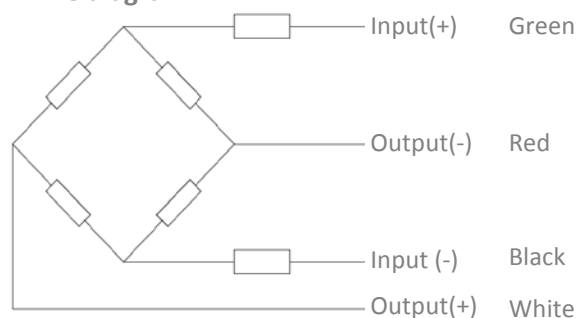
Shielded, 4 conductor cable.

Cable diameter: Ø 7.5mm.

Standard cable length for 10t: 10m and for all other capacities: 20m.

Shield not connected to element.

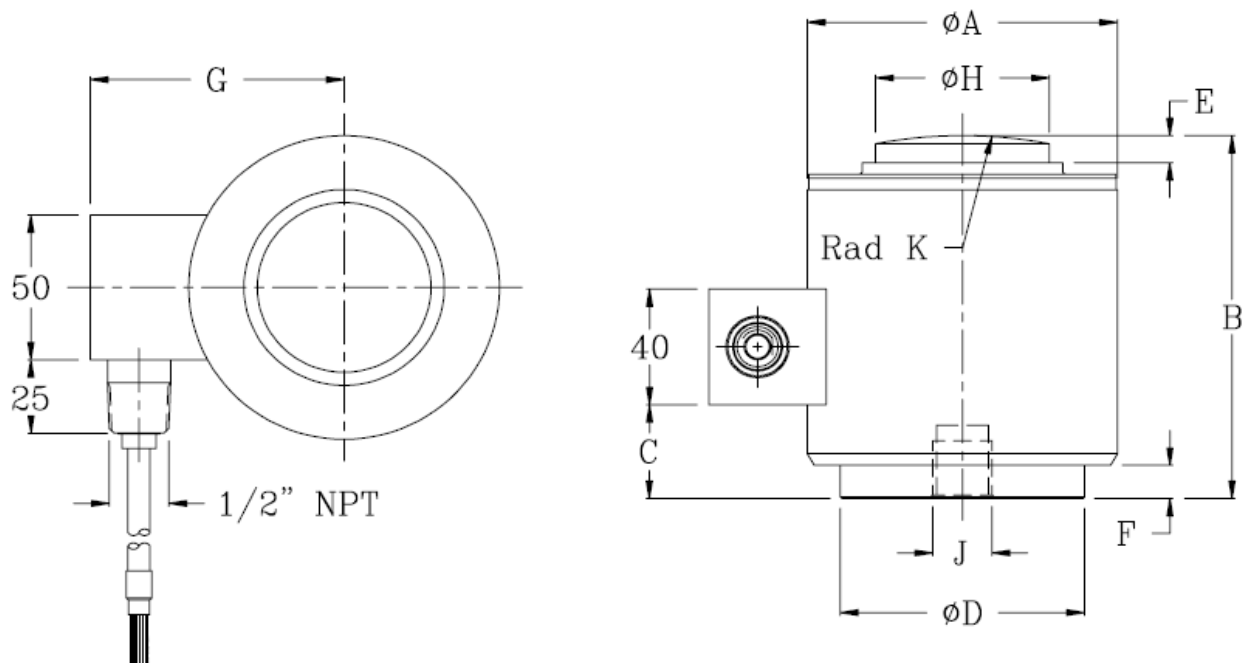
4-wire diagram



Specifications and dimensions are subject to change without notice and do not constitute any liability whatsoever.

Type BM14A Load Cell

Dimensions in mm



| Dimension Capacity | ϕA | B | C | ϕD | E | F | G | ϕH | K_{rad} | J |
|--------------------|----------|-------|----|----------|------|------|-----|----------|-----------|-----|
| 10t, 25t | 73 | 82.5 | 12 | 58 | 6.5 | 1.8 | 64 | 31.8 | 152 | M12 |
| 40t, 60t | 105 | 127 | 34 | 82.5 | 8 | 11 | 87 | 58.7 | 152 | M20 |
| 100t | 152.4 | 184 | 72 | 123.8 | 23.6 | 21.8 | 108 | 79.2 | 432 | M20 |
| 200t | 167.6 | 228.6 | 92 | 136.3 | 10.9 | 25.4 | 123 | 93.7 | 432 | M20 |

Specifications and dimensions are subject to change without notice and do not constitute any liability whatsoever.

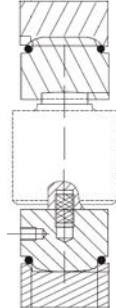
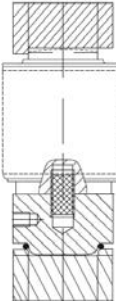
Zemic Europe B.V.
 Leerlooierstraat 8
 4871 EN Etten-Leur
 The Netherlands

T: +31 76 50 39480
 F: +31 76 50 39481
info@zemic.nl
www.zemic.nl

Nr. 2013.12 BM14A Rev3

Type BM14A Load Cell

Available accessories

| | |
|---|---|
| <p>BY-14-101-10-25t rocker support</p> <ul style="list-style-type: none">• Easy installation• Good self-aligning ability• Stainless steel• Anti-reversal ability• Can be used under hazardous environments |  |
| <p>BY-14-101-40-60t rocker support</p> <ul style="list-style-type: none">• Easy installation• Good self-aligning ability• Stainless steel• Anti-reversal ability• Can be used under hazardous environments |  |

Specifications and dimensions are subject to change without notice and do not constitute any liability whatsoever.