

Type HM14H1 Load Cell



Short description



- Nickel plated alloy steel IP68 column load cell
- Hermetically sealed
- Suitable for truck, track, hopper and other electronic weighing devices
- High accuracy



Test certificate no. TC8228 Revision 0
C of C no R60/2000-NL1-12.46

Available models

Capacity	Accuracy	Full article description
20t	C3	HM14H1-C3-20t-20B-W1
30t	C3	HM14H1-C3-30t-20B-W1
40t	C3	HM14H1-C3-40t-20B-W1
50t	C3	HM14H1-C3-50t-20B-W1

Specifications and dimensions are subject to change without notice and do not constitute any liability

Type HM14H1 Load Cell

Technical specifications HM14H1

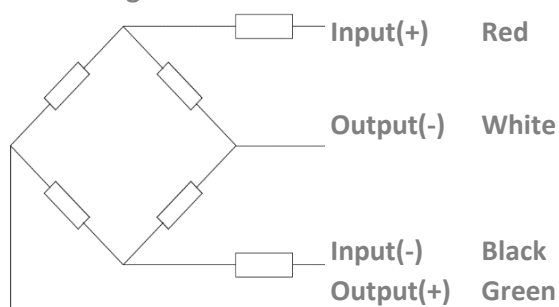
Accuracy class		C3
Output sensitivity (= FS)	mV/V	2.0 ± 0.002
Maximum capacity (E _{max})	t	20, 30, 40, 50
Max. number of load cell intervals	n _{LC}	3000
Ratio of min. LC verification interval	$Y = E_{max} / V_{min}$	10000
Combined Error	%FS	≤± 0.02
Minimum dead load	Of E _{max}	0%
Safe overload	of E _{max}	150 %
Ultimate overload	of E _{max}	300 %
Zero balance	of FS	< ± 1.0 %
Excitation, recommended voltage	V	5 ~ 12
Excitation maximum	V	18
Input resistance	Ω	700 ± 7
Output resistance	Ω	703 ± 4
Insulation resistance	MΩ	≥5000 (at 50VDC)
Compensated temperature	°C	-10 ~ +40
Operating temperature	°C	-35 ~ +65
Storage temperature	°C	-40 ~ +70
Element material		Nickel plated alloy steel
Ingress Protection (acc. to EN 60529)		IP68

Wiring

Features:

Shielded, 4 conductor cable
Cable diameter: Ø5.0mm
Standard cable length: 20m
Shield not connected to element

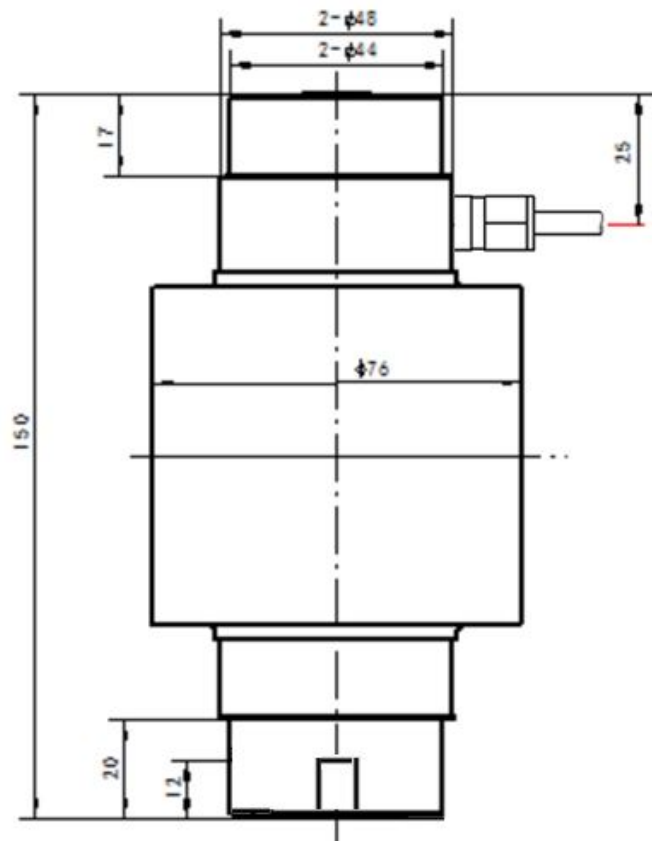
4-wire diagram



Specifications and dimensions are subject to change without notice and do not constitute any liability

Type HM14H1 Load Cell

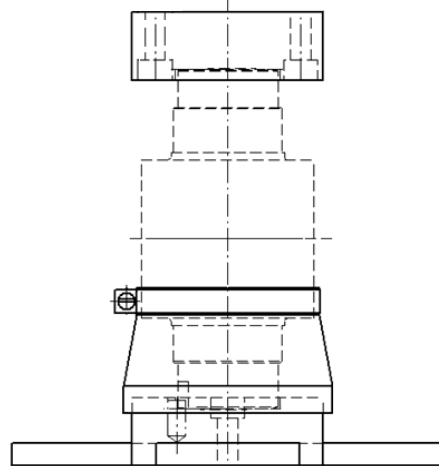
Dimensions in mm



Available accessories

HY-14-146-20-50t rocker support

- 1 piece, top, with mounting holes
- 1 piece, bottom, with mounting holes
- Alloy steel
- Anti-rotation pin in the bottom base
- Including washers for positioning



Specifications and dimensions are subject to change without notice and do not constitute any liability