

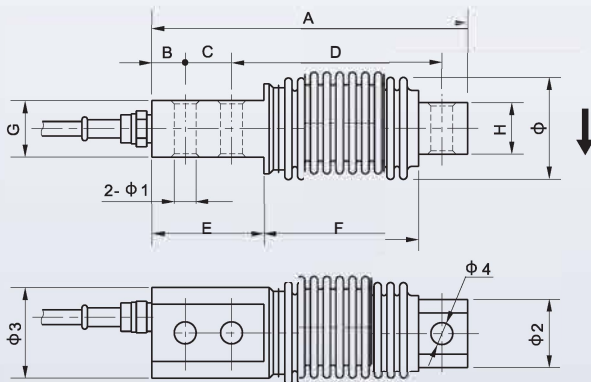


PE-7

稱重傳感器 LOAD CELL

材質：不銹鋼
Materials : Stainless Steel

Cantilever beam load cell, hermetically sealed stainless steel metallic crinkle
Tension and compression; anti-overload, high fatigue resistance and anti-deflective loading
Suitable for electronic belt scale, hopper scale, etc.



主要技術指標 Specifications

◇靈敏度 Rated Output (mV/V)	2.00 ± 0.010
◇非線性 Nonlinearity	± 0.02% FS
◇滯后 Hysteresis	± 0.02% FS
◇重複性 Repeatability	± 0.01% FS
◇蠕變 Creep (30 minutes)	± 0.02% FS
◇零點輸出 Zero Balance	± 1.00% FS
◇零點溫度系數 Temperature Effect on Zero	± 0.02% FS/10°C
◇額定輸出溫度系數 Temperature Effect on Output	± 0.02% FS/10°C
◇輸入電阻 Input Resistance (Ω)	385 ± 10
◇輸出電阻 Output Resistance (Ω)	350 ± 3
◇絕緣電阻 Insulation Resistance	≥ 5000 MΩ
◇供橋電壓 Excitation Voltage	10V (DC/AC)
◇溫度補償範圍 Compensated Temperature Range	-10°C ~ +50°C
◇使用溫度範圍 Operating Temperature Range	-20°C ~ +60°C
◇允許過載負荷 Safe Overload	120% FS
◇連接電纜 Cable	Φ 5.4 × 5m

連接方法 Cable Color Code

Input: Red (+) Black (-);
輸入: 紅 (+) 黑 (-);
Output: Green (+) White (-);
輸出: 綠 (+) 白 (-)

主要外形尺寸 Main Dimensions and Accessories

量程 Capacity	尺寸 Size mm												
	kg	A	B	C	D	E	F	G	H	φ	φ1	φ2	φ3
10-200	123.0	13.0	18.0	82.0	45.0	59.0	22.0	20.0	45.0	8.5	26.0	35.0	8.5
300-1000	210.0	15.0	40.0	133.0	93.0	64.0	34.0	25.0	60.0	13.0	36.0	50.0	14.0