

## HITEK IoT HMI 6000 Series

### Model: ISM6156H

#### Product Overview

---

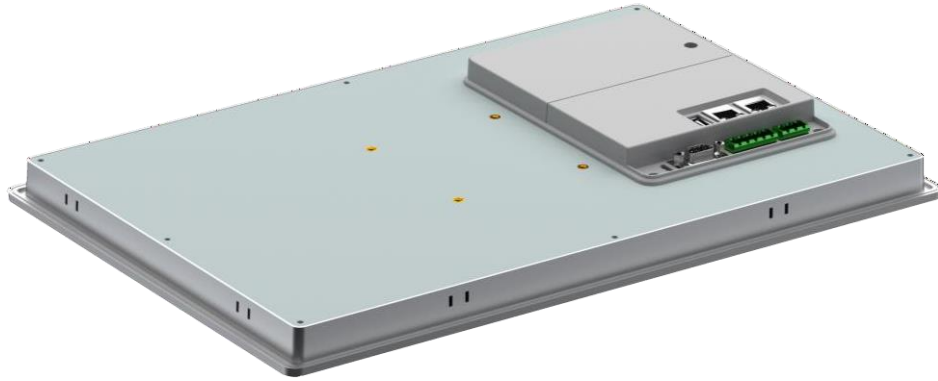
HITEK 6000 series is the new generation of IoT HMI, continuing the high cost-performance ratio of HITEK 4000 series touchscreen, equipped with industrial ABS plastic enclosure that offers low cost and high reliability. This model adopts a brand-new model design featuring more practical downward sockets, and a redesigned front panel with improved appearance. Models with higher resolutions are also available.

By configuring this product with FLink IoT module, it can be upgraded to have IoT functionality and access full suite of services offered by Hitek industrial IoT cloud platform.

#### Product Appearance

---





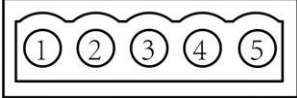
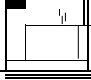


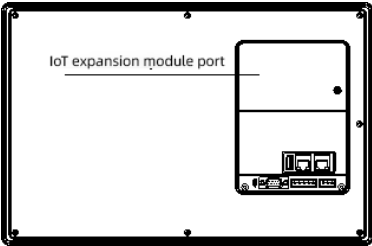
### Product Specifications

Hardware	Display	15.6" 16:9 TFT LCD
	Resolution	1920x1080
	Colors	16-bit
	Brightness	250 cd/m <sup>2</sup>
	Backlight	LED
	LCD Lifetime	50000 hours
	LCD Viewing Angles (T/B/L/R)	85'/85'/85'/85'
	Touch Panel	4-wire industrial resistive touchscreen
	CPU	1G ARM Cortex-A8
	Storage	256MB FLASH + 512MB DDR3
	RTC	Built-in
	SD Card	Micro SD (TF) card
	Ethernet	2* 10M/100M self-adaptive
	USB Port	1* USB slave 2.0 port, 1* USB host 2.0 port
	Program Download Method	USB slave / Flash drive / Ethernet
Serial Port	COM1: RS232/RS485/RS422 COM2: RS485 COM3: RS232	
Electrical	Rated Power	< 18W
	Rated Voltage	DC24V, operational range: DC 18V~28V
	Power Protection	Isolated power module with lightning surge protection
	Power Interruption Tolerance	< 5mS
	CE & RoHS	EN61000-6-2:2005 and EN61000-6-4:2007 standards certified;RoHS certified;lightning surge ± 1kV; group pulse ± 2kV;electrostatic contact 4kV, air discharge 8kV
Environment	Operating Temperature	0~50°C

al	Storage Temperature	-20~60°C
	UV Resistance	Operating in high UV environment is prohibited (e.g., in direct sunlight)
	Environmental Humidity	10~90%RH (non-condensing)
	Vibration Endurance	10~25Hz (X/Y/Z direction, 2G/30 minutes)
	Cooling Method	Natural cooling
Mechanical	Installation Method	Flush-mounted installation / VESA installation
	Protection Level	Front: IP65 (with flush panel cabinet installation), Rear: IP20
	Enclosure Material	Aluminum alloy
	Cutout Dimensions	380mm×245mm
	Dimensions	394mm×256mm×53.3mm
	Weight	About 2500g

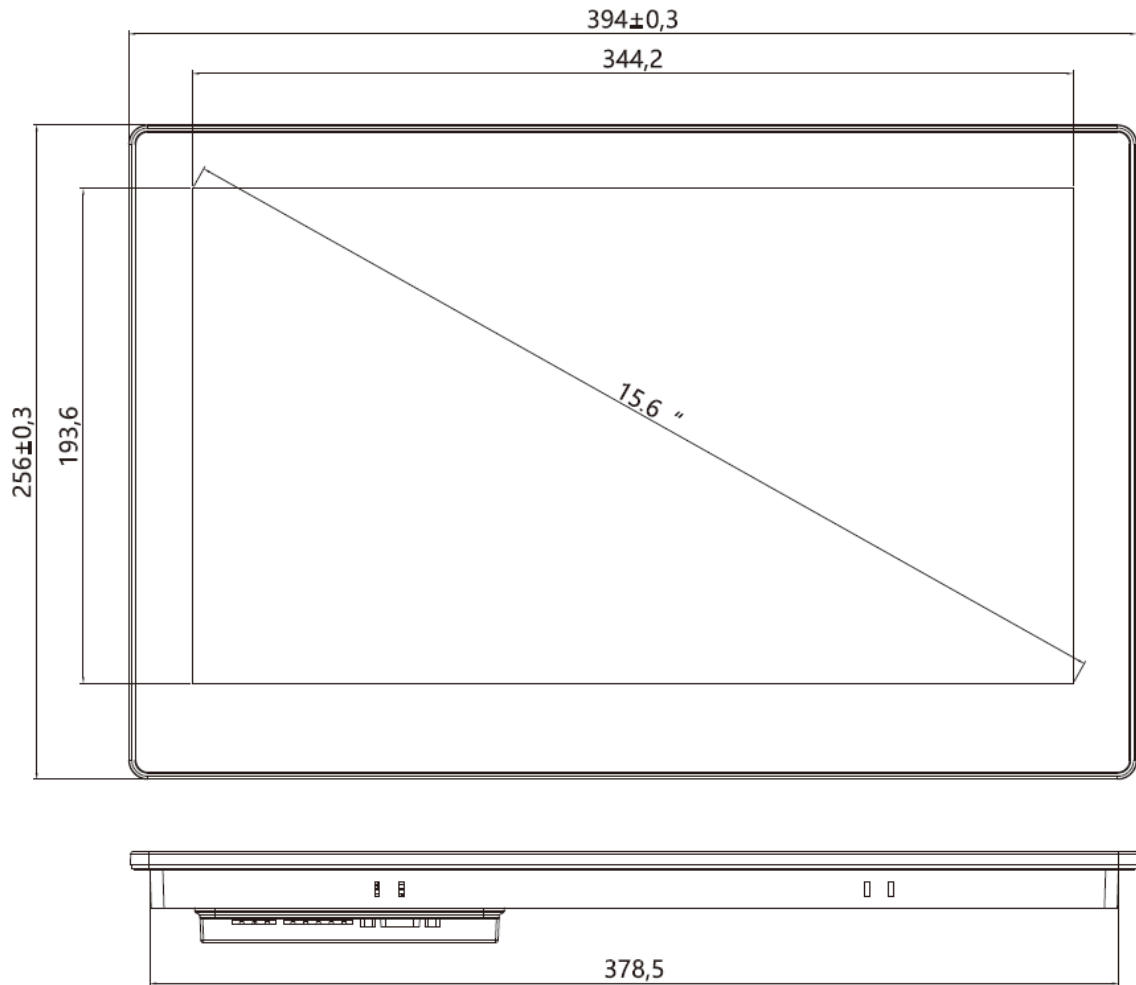
### Wiring Definition

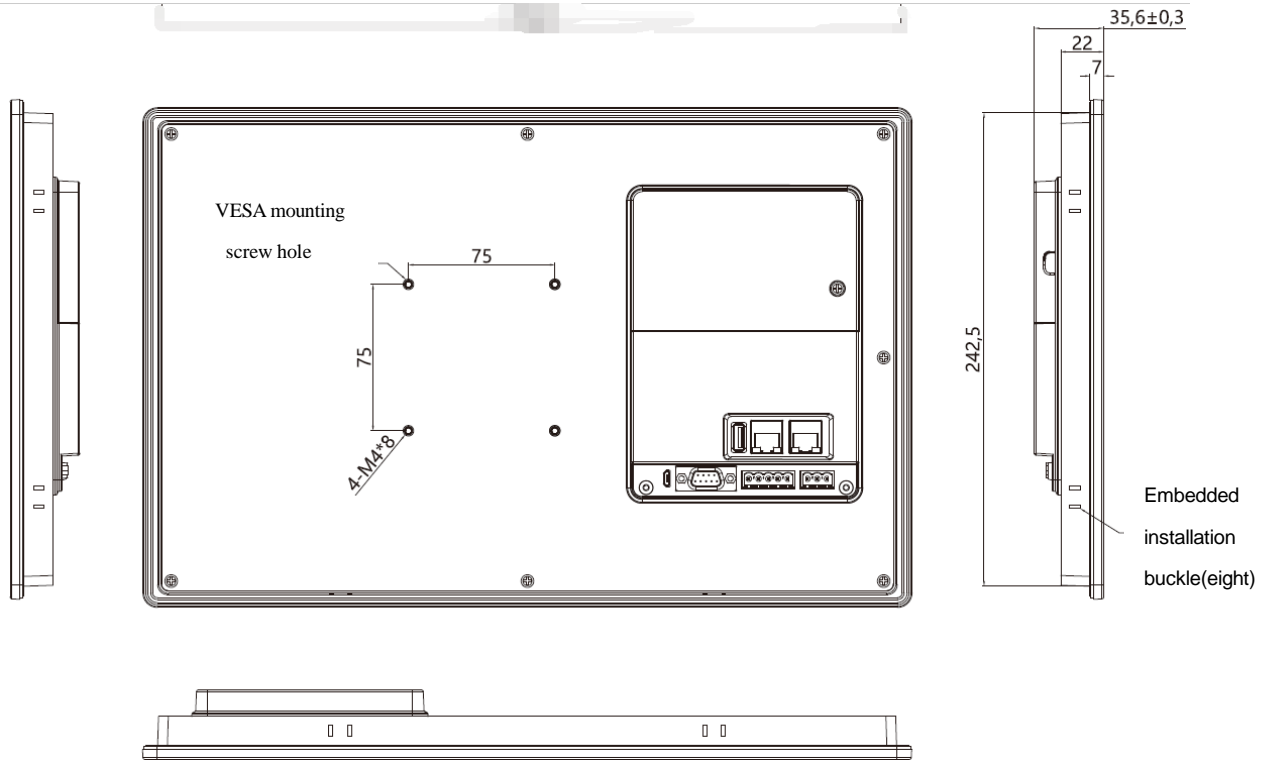
Power Terminal (Pin 1~3 from left to right)			
	Pin1	DC24V	
	Pin2	GND	
	Pin3	FG	
DB9 Serial Terminal (COM1/COM3)			
	Pin	COM1	COM3
	Pin1	Rx- (B) (RS422/485-)	
	Pin2	RxD (RS232)	
	Pin3	TxD (RS232)	
	Pin4	Tx- (RS422)	
	Pin5	GND	
	Pin6	Rx+ (A) (RS422/485+)	
	Pin7		RxD (RS232)
	Pin8		TxD (RS232)
Pin9	Tx+ (RS422)		
Terminals (Pin 1~5 from left to right) (COM2)			
	Pin	COM2	
	Pin1	Rx+ (A) (RS422/485+)	

	Pin2	Rx- (B) (RS422/485-)
	Pin3	GND
	Pin4	Tx+ (RS422)
	Pin5	Tx- (RS422)
Ethernet Port*2		
	RJ45	Used for Ethernet configuration with controllers or connection with server
USB Host		
	USB Type-A	Used for peripheral devices, such as flash drive or bar code scanner
USB Slave		
	Micro USB	Used for program download and debugging
FLink/FWay Expansion Module		
	Expansion Module Slot	Supported module: FLink/Link-4G(-A)/FLink-4G(-C)/ FLink-WiFi(-A)/FWay-WiFi/FWay-4G

## Dimension drawings

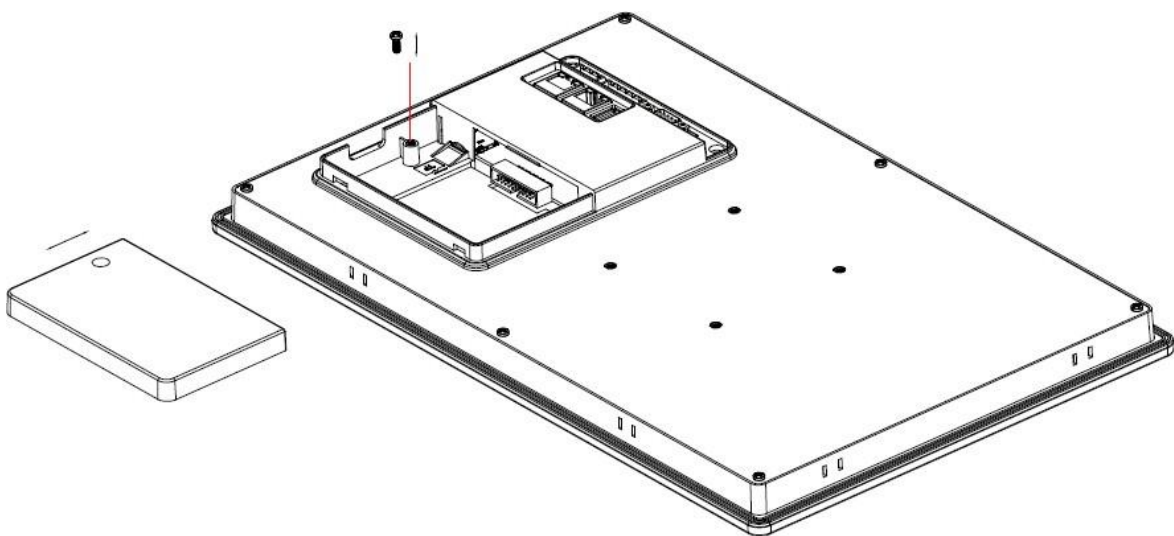
**FE6156H**

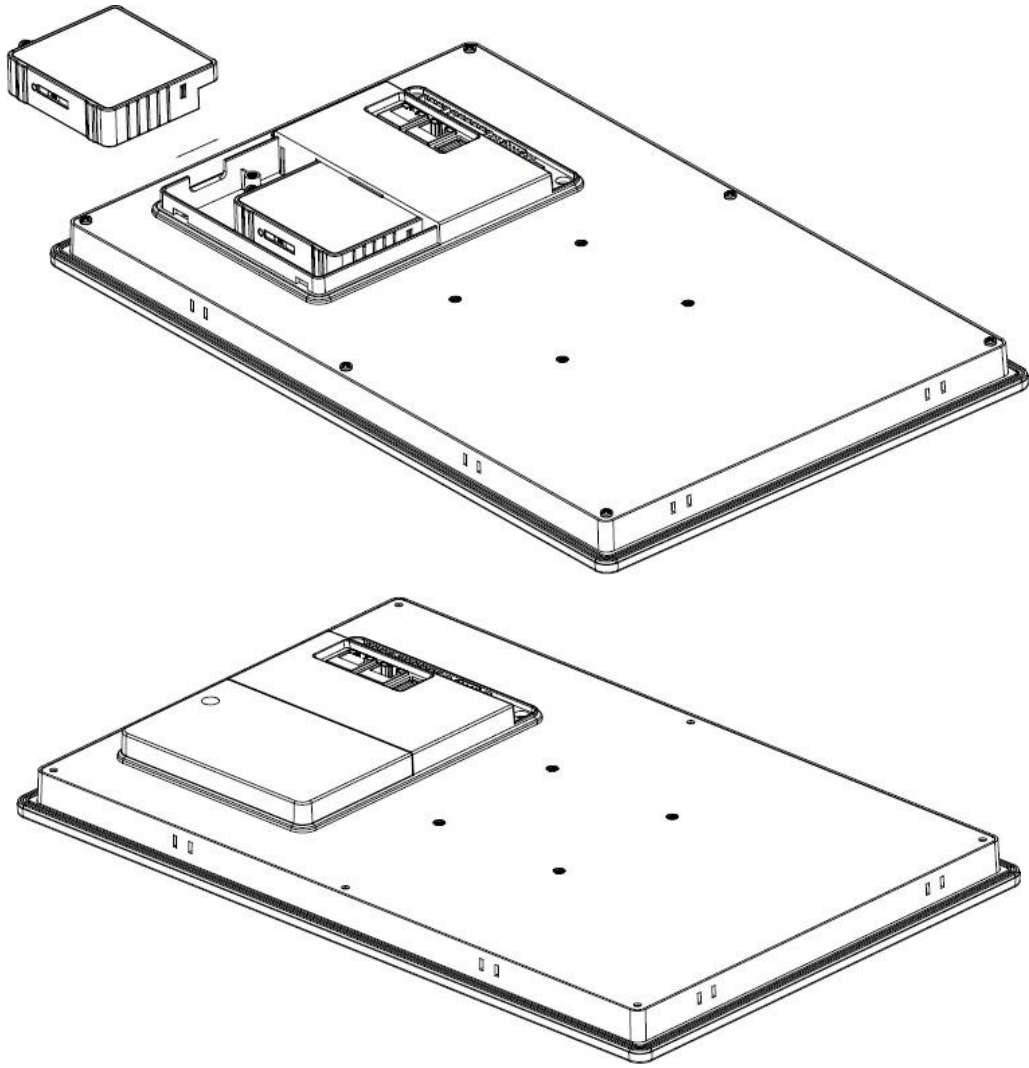




Flush-mounted installation cutout dimensions:380\*245 MM

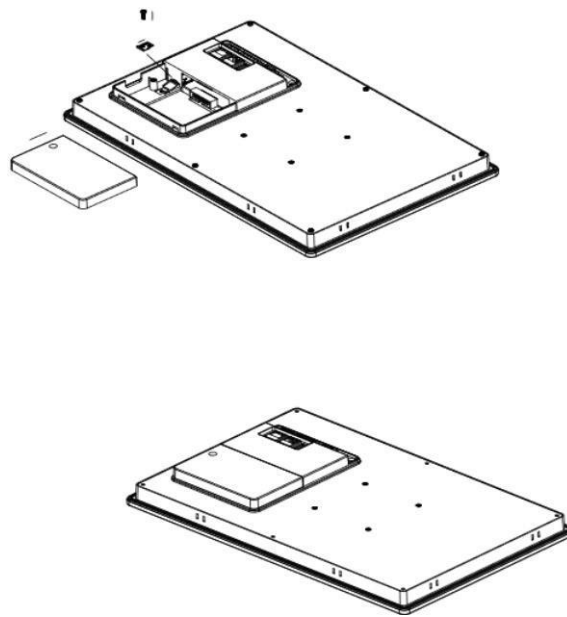
### FLink Installation Illustration





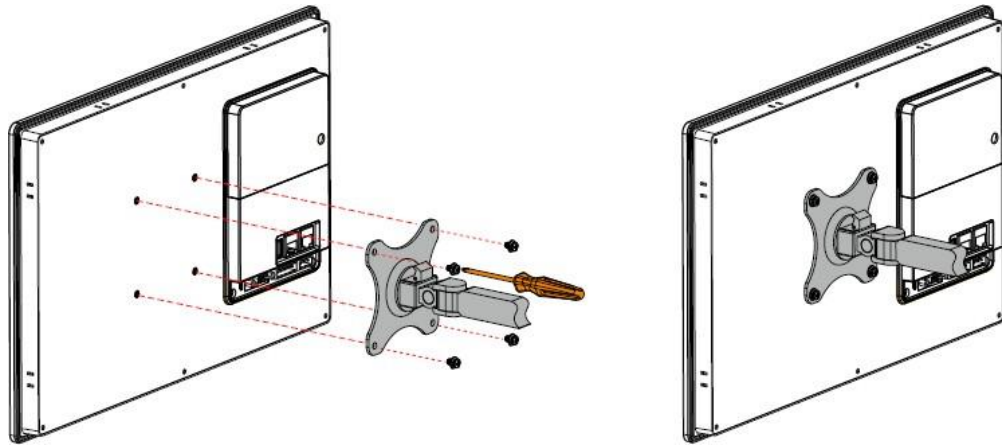
### TF Card Installation Illustration

---



### VESA Installation Illustration

---



Included accessories: screws PM4\*8 (hanger not included)