

HITEK——IIoT HMI FE6000 Series

Model: ISM6070WE

Overview

Hitek Industrial HMI 6000 Series, a new generation of IIoT human-machine interface. It is high-quality and cost-effective touch screen, industrial ABS plastic shell, low cost, high reliability. The main board is treated with a special coating (three anti-paint) to adapt to harsh environments. The new model opens with a more practical down-line approach, and the redesigned front face has a better looking look, and higher resolution model is available.

By selecting the FLink IIoT module, you can upgrade the IIoT human-machine interface immediately and uses complete and convenient industrial IIoT cloud platform service.

Appearance

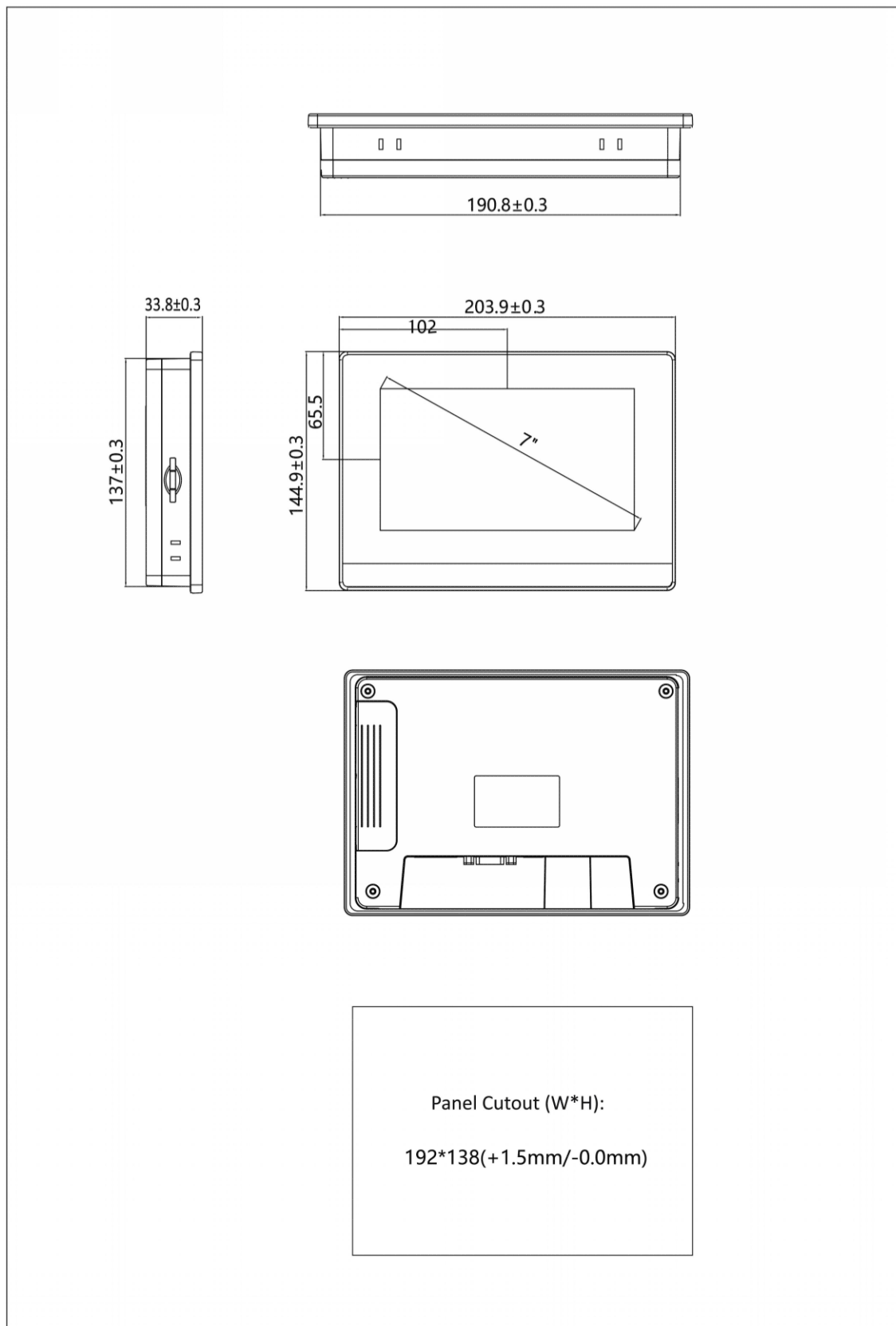


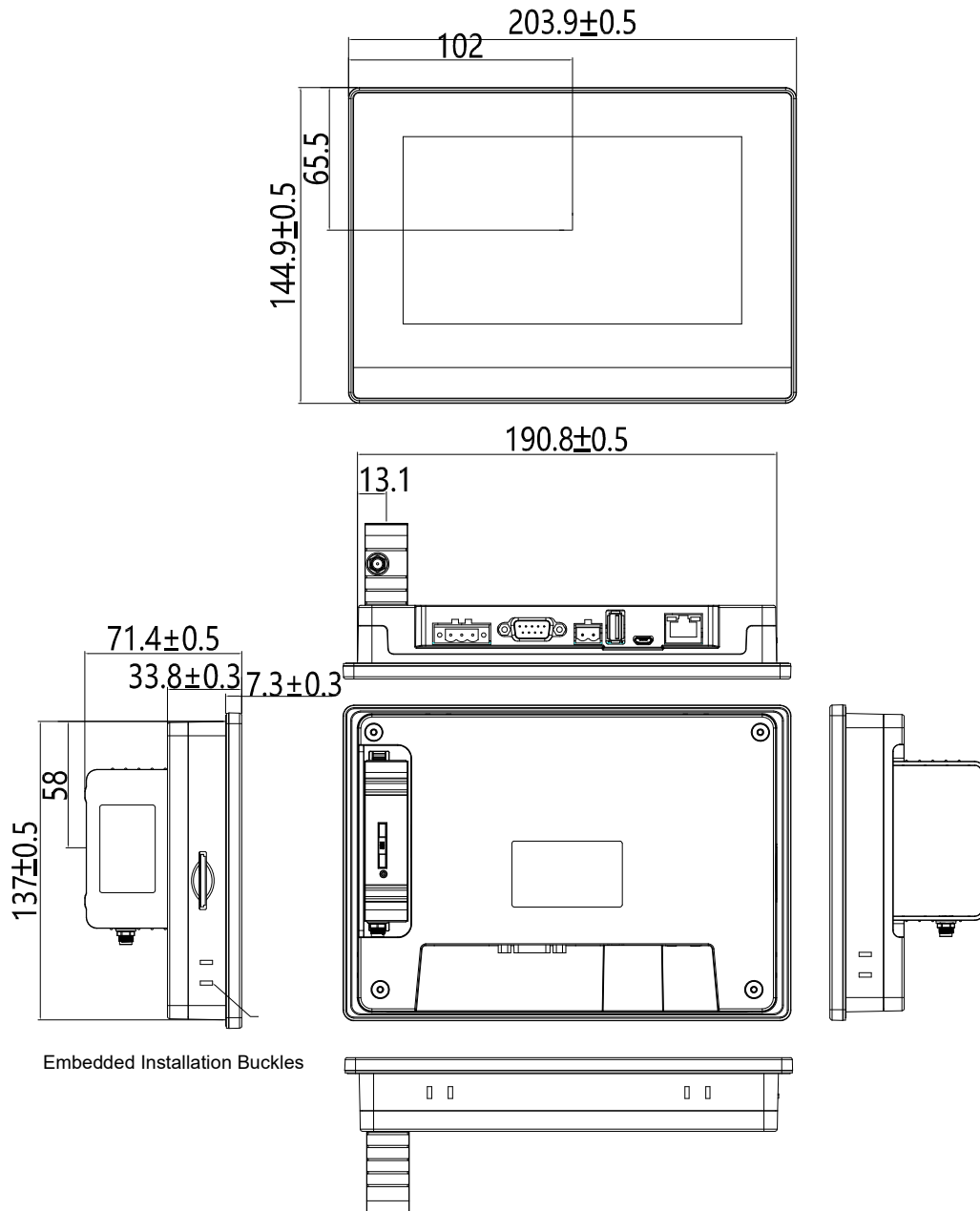
Specifications

Hardware Version		Version: 2.0	Version: 3.×
Hardware parameter	Display	7" 16:9 TFT LCD	
	Resolution(WxH)	1024×600	
	Colors	24-bit	
	Brightness	450 cd/m ²	
	Backlight	LED	
	LCD Life	50000 hours	
	Touch Panel	4 wires resistive touch screen (Surface hardness 4H)	
	CPU	600MHz ARM Cortex-A8	Quad core 1.2GHz ARM Cortex-A7
	Memory	128M Flash + 128M DDR3	4GB EMMC+256MB DDR3
	RTC	Built in	
	Ethernet	1 way 10M/100M adaptive	
	SD card Port	Available	
	USB Port	USB Slave 2.0 port*1,USB Host 2.0 port*1	
	Download Project	USB Slave/U disk / Ethernet	
	COM Port	COM1/COM3:RS232/RS485/RS422 COM2:RS485	
	LCD viewing angle (T/B/L/R)	85'/85'/85'/85'	
Electrical Specifications	Power Consumption	< 10W	
	Input Power	DC24V, working range DC 9V~28V	
	Power Protection	Protected from thunderstrike and surging	
	Power Down Allowed	< 5mS	
	CE & RoHS	Complied with EN61000-6-2:2005, EN61000-6-4:2007, RoHS, Surge Immunity:±1KV, EFT:±2KV,ESD:4KV, Air:8KV	
Environmental Specifications	Operating Temperature	0~50°C	
	Storage Temperature	-20~60°C	
	Anti-UV	Not suitable to work in strong ultraviolet light (such as direct sunlight)	
	Operating Humidity	10~90%RH (no condensate)	
	Vibration Endurance	10~25Hz (X,Y,Z direction 2G/30 minutes)	
	Cooling	Natural air cooling	
Mechanical index	Degree of Protection	Front IP65(with NEMA panel),Back IP20	
	Enclosure	ABS+PC	
	Panel Cutout	192mm×138mm	
	Dimension	204mm×145mm×33.8mm	
	Weight	About 560g	

Wiring definition

Power terminal (Pin1~Pin3from left to right)		
	Pin1	FG
	Pin2	0V
	Pin3	DC24V
DB9 Serial terminal		
	Pin1	Rx-(B)
	Pin2	RxD (COM1 RS232)
	Pin3	TxD (COM1 RS232)
	Pin4	Tx-
	Pin5	GND
	Pin6	Rx+(A)
	Pin7	RxD (COM3 RS232)
	Pin8	TxD (COM3 RS232)
	Pin9	Tx+
485 terminal (Pin1~Pin2 from left to right)		
	Pin1	A+ (COM2 RS485)
	Pin2	B- (COM2 RS485)
Ethernet port		
	RJ45	Used for Ethernet setup with the controller or for connecting to a server
USB Host		
	USB Type A	Used to connect U disk, scan code gun and other peripherals
USB Slave		
	MicroUSB	Used to download programs and debug
	Expansion module card slot	Support module: FLink, FLink-2G, FLink-4G, FLink-WiFi

Size ISM 6070WE

Size ISM6070WE+FLink

Panel Cutout of Embedded installation: $192\text{mm} \times 138\text{mm}$ ($+1.0/-0.0\text{mm}$)